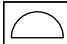
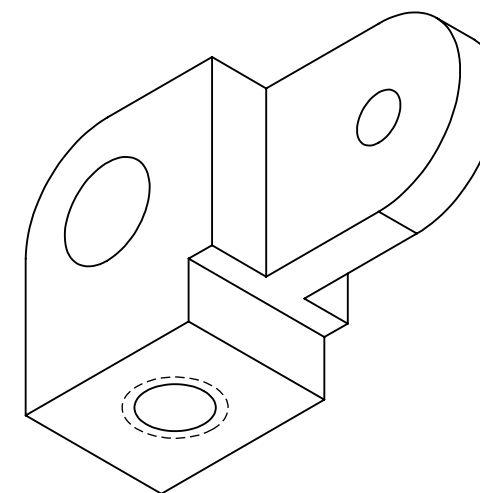
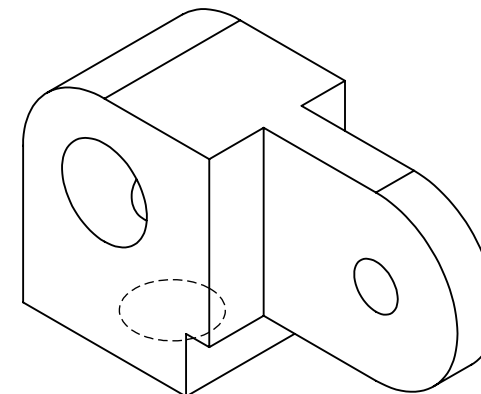
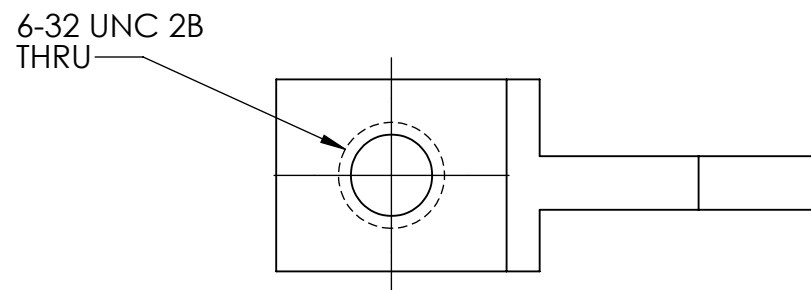
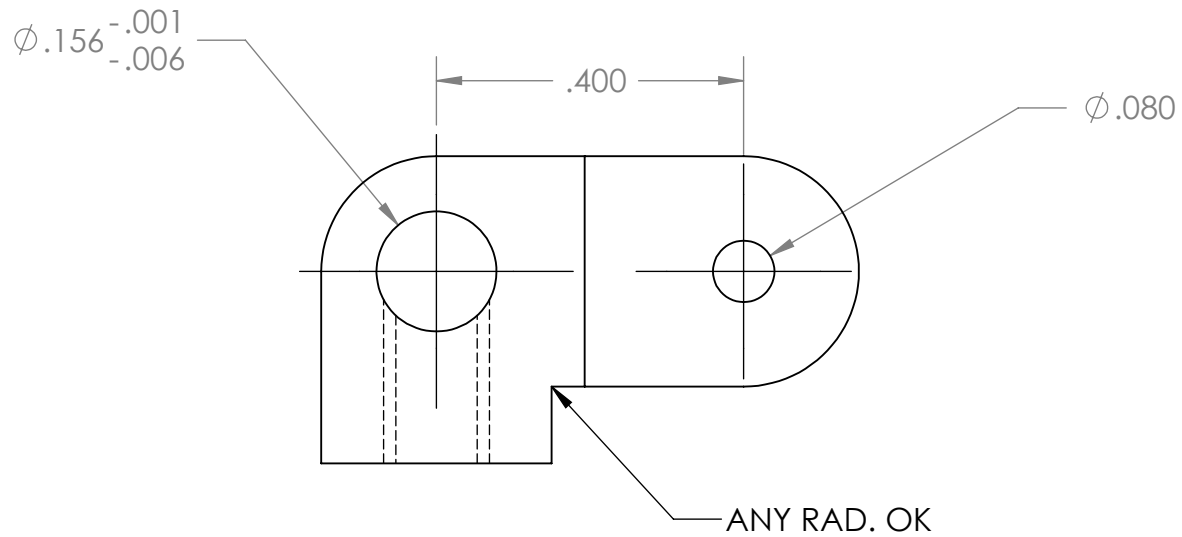
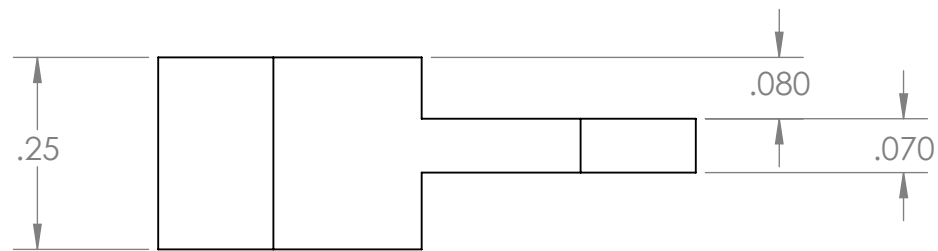


NOTE:

1. ALL UNTOLERANCED FEATURES ARE  .030 FROM THE MODEL.
2. TYPE III HARD ANODIZED, BLACK, .002 TOTAL, (.001 BUILDUP FROM SURFACE).
3. CHEM FILM IN THREAD.



UNLESS OTHERWISE SPECIFIED:		NAME	DATE	ITAR CONTROLLED DOCUMENT				
DIMENSIONS ARE IN INCHES DIMENSIONS APPLY AFTER SURFACE TREATMENT		DRAWN	John Brown	9/10/2010	TITLE: LINKAGE, UNLOCK			
TOLERANCES:		CHECKED	John Brown	12/16/2010				
ANGULAR: MACH $\pm .5$		ENG APPR.						
TWO PLACE DECIMAL $\pm .010$		MFG APPR.						
THREE PLACE DECIMAL $\pm .004$		Q.A.			SIZE	DWG. NO.	REV	
BREAK SHARP EDGES .005-.015		COMMENTS:		SEE NOTES		B	LINKAGE, UNLOCK	A
INTERPRET GEOMETRIC TOLERANCING PER:		MATERIAL		SCALE: 8:1		WEIGHT:	SHEET 1 OF 1	
		FINISH						
		AI 6061-T6						
		64						

PROPRIETARY AND CONFIDENTIAL
THE INFORMATION CONTAINED IN THIS
DRAWING IS THE SOLE PROPERTY OF
John Brown.