

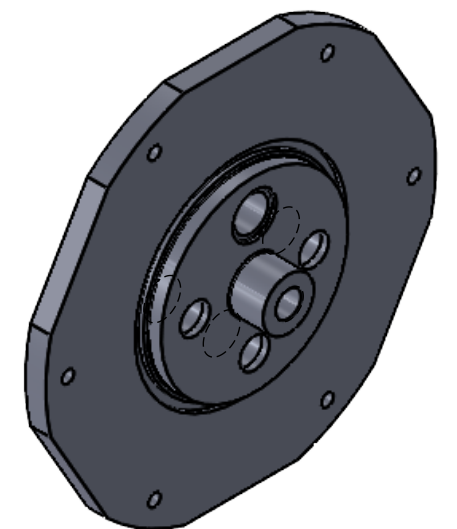
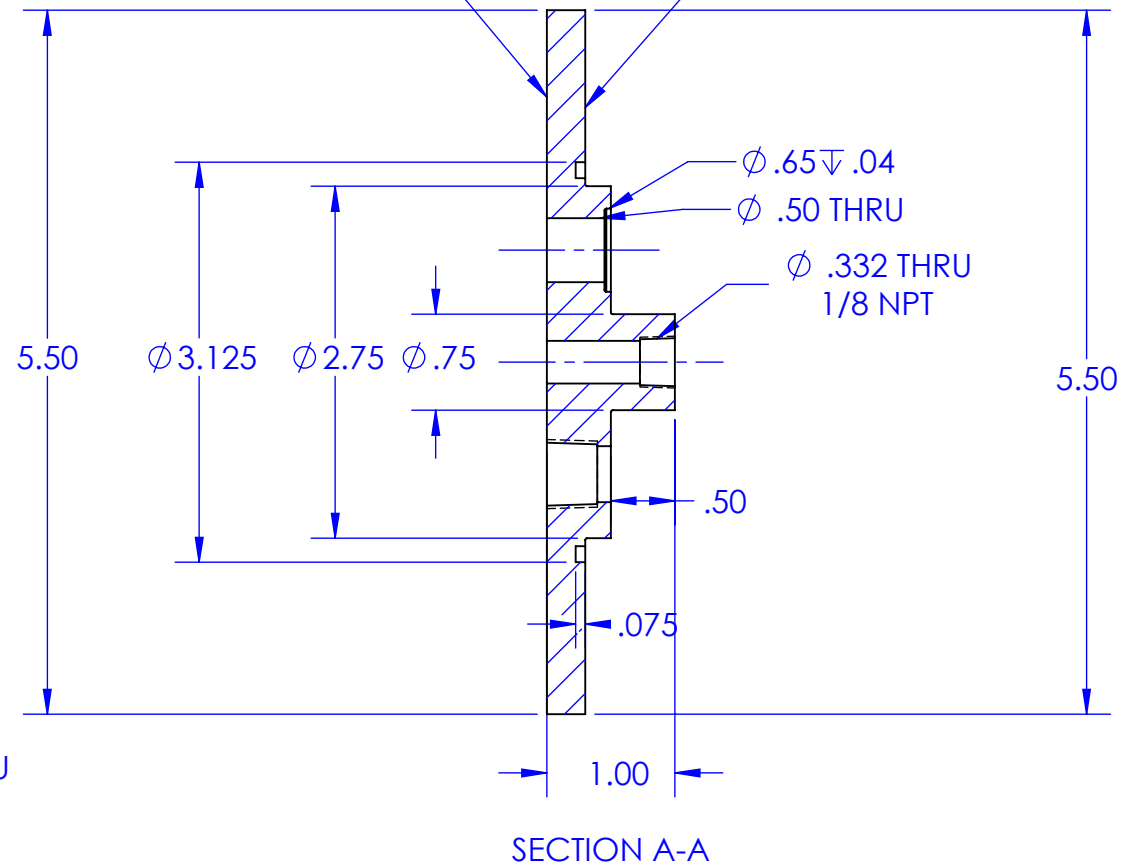
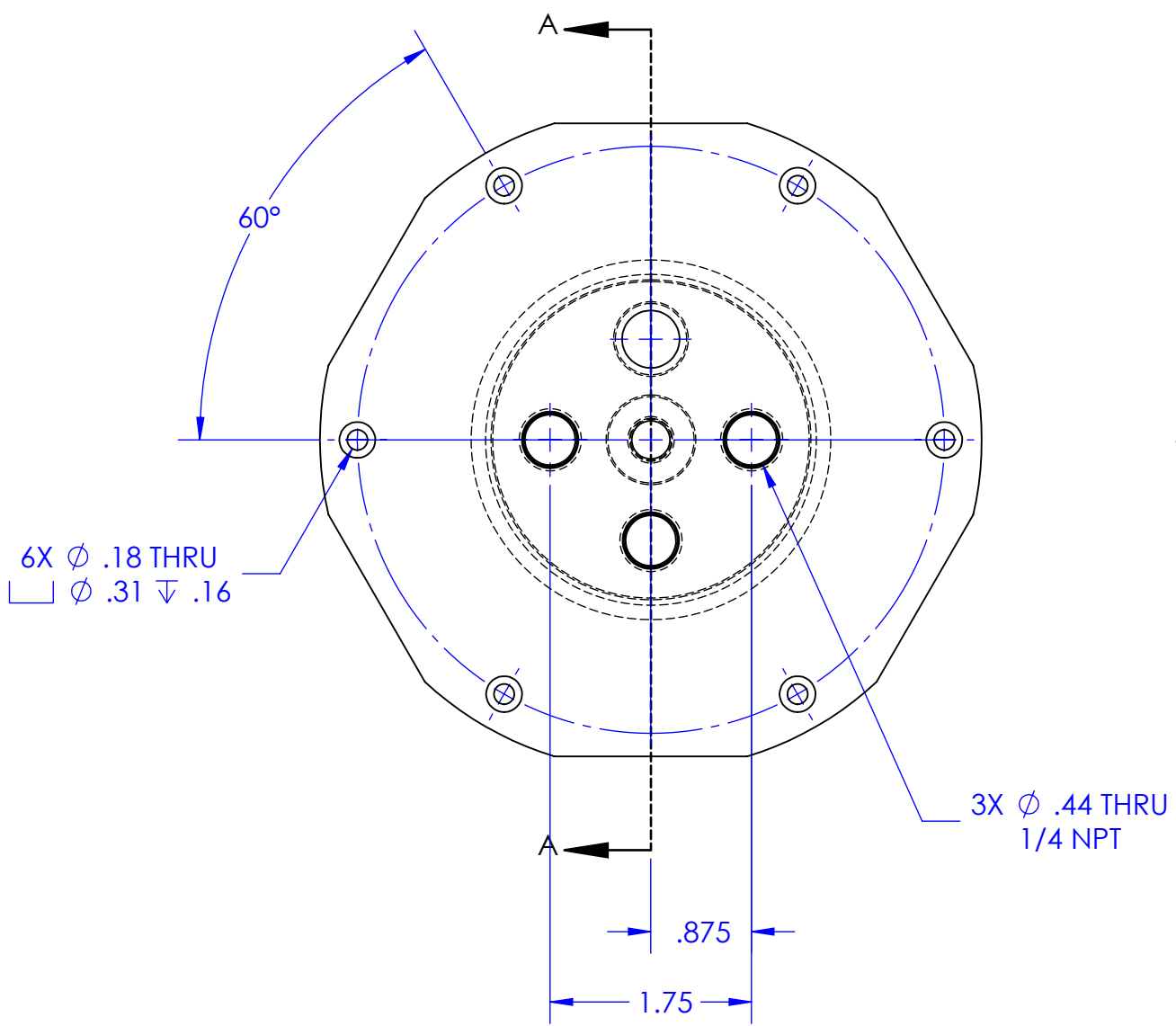
8 7 6 5 4 3 2 1

REVISION HISTORY			
REV.	CHANGE SUMMARY	DCO	RELEASE DATE

ANODIZE ALL SURFACES BLACK, INCLUDING THREADED HOLES
 QUANTITY: 1

LEFT SIDE COSMETIC

RIGHT SIDE AND HOLES
 CORROSION CRITICAL



SUPPLIER SHALL NOT MAKE CHANGES TO DRAWINGS, DESIGN SPECIFICATIONS, PROCESSES, MATERIALS, AND OR WORK DETAILED BY THIS SPECIFICATION WITHOUT NOTIFICATION TO AND WRITTEN AUTHORIZATION FROM COMPANY.	THIRD ANGLE PROJECTION 	FINISH: ANODIZED BLACK MATERIAL: 6061-T6 ALUMINUM	COMPANY:		
	UNLESS OTHERWISE SPECIFIED: DIMENSIONS ARE IN INCHES .X \pm .03 .XX \pm .01 .XXX \pm .005 FRACTIONAL: \pm 1/32 ANGULAR: \pm 30' MACHINED SURFACES (Ra): 32 MICRONS	TITLE: STEAM GENERATOR PLUG	SIZE B	DWG. NO. 01-04-002	REV A
	DO NOT SCALE DRAWING	DRAWN: B. FIELDS DATE: 02/16/23 CHECKED: N. BURT. DATE: 02/16/23	SCALE: 2:3	SHEET: 1 OF 1	

8 7 6 5 4 3 2 1

8 7 6 5 4 3 2 1

REVISION HISTORY			
REV.	CHANGE SUMMARY	DCO	RELEASE DATE

D

D

C

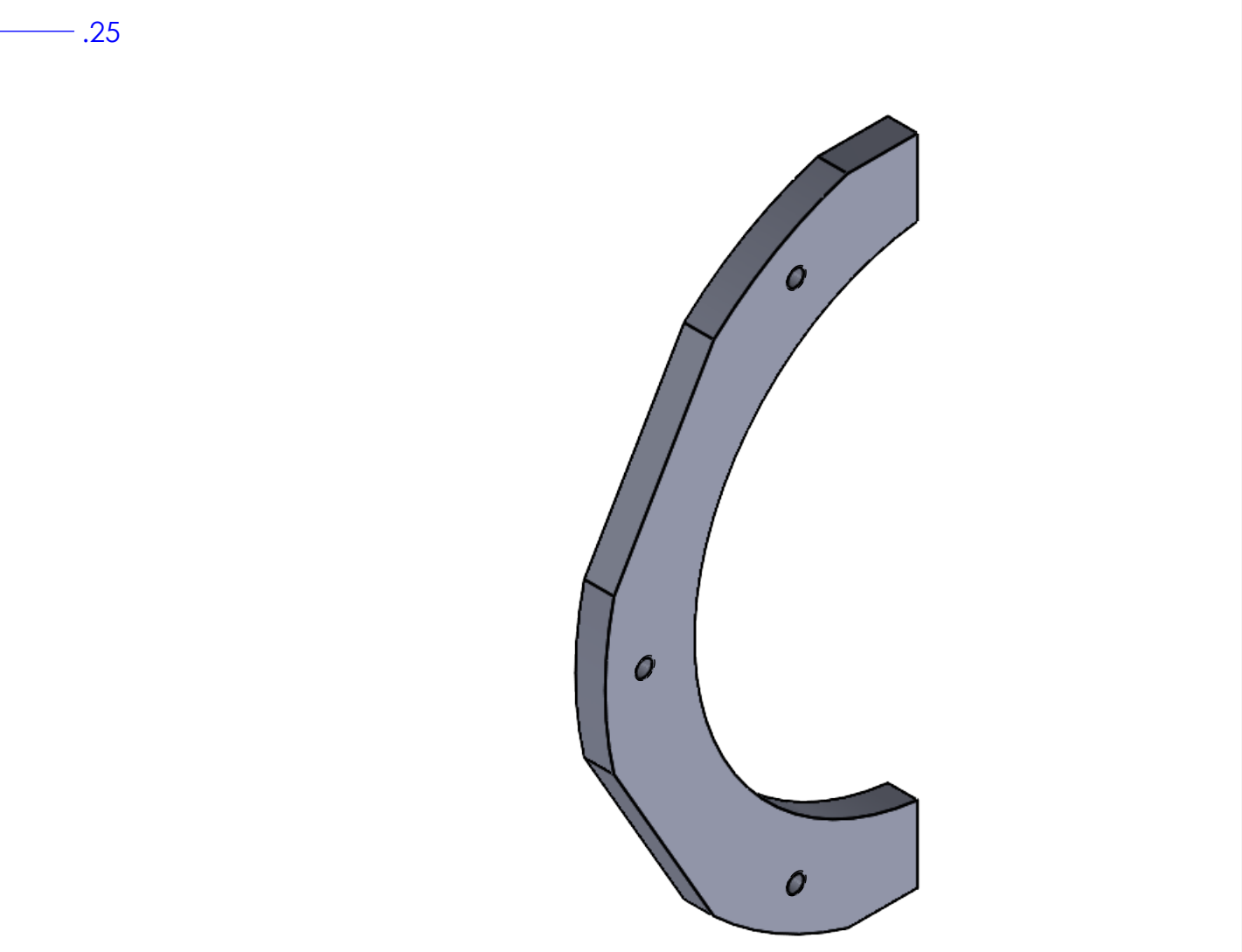
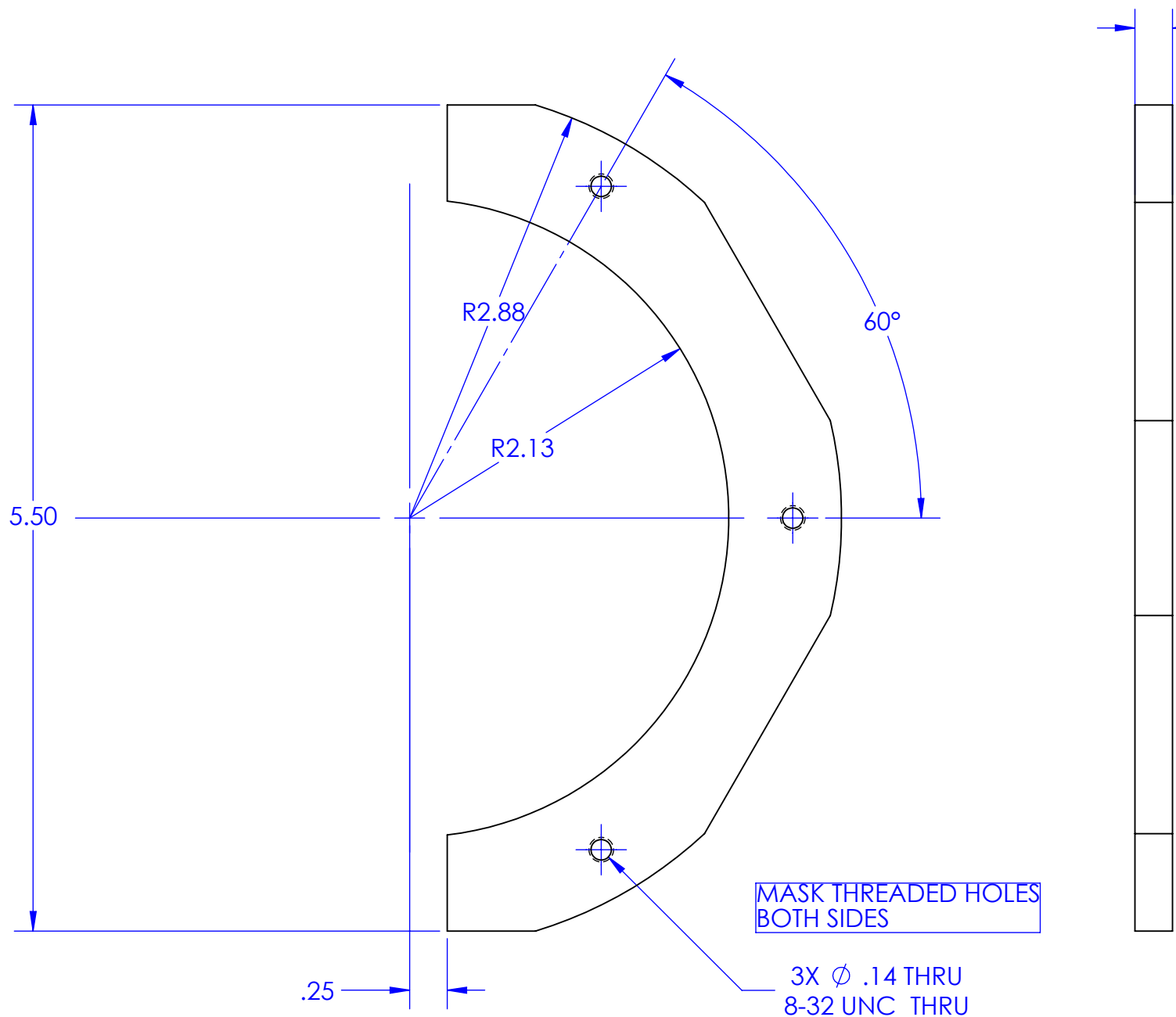
C

B

B

A

A



NOTE 1:
FINISH: ANODIZE BLACK ALL AROUND UNLESS OTHERWISE SPECIFIED
PART QUANTITY: 2

SUPPLIER SHALL NOT MAKE CHANGES TO DRAWINGS, DESIGN SPECIFICATIONS, PROCESSES, MATERIALS, AND/OR WORK DETAILED BY THIS SPECIFICATION WITHOUT NOTIFICATION TO AND WRITTEN AUTHORIZATION FROM COMPANY.	THIRD ANGLE PROJECTION 	FINISH: ANODIZED BLACK MATERIAL: 6061-T6 ALUMINUM	COMPANY:		
	UNLESS OTHERWISE SPECIFIED: DIMENSIONS ARE IN INCHES .X \pm .03 .XX \pm .01 .XXX \pm .005 FRACTIONAL: \pm 1/32 ANGULAR: \pm 30' MACHINED SURFACES (Ra): 32 MICRONS	TITLE: STEAM GENERATOR CLAMP BLOCK			
	DO NOT SCALE DRAWING	DRAWN: B. FIELDS DATE: 02/16/23 CHECKED: N. BURT. DATE: 02/16/23			
			SCALE: 1:1	SHEET: 1 OF 1	

8 7 6 5 4 3 2 1

8

7

6

5

4

3

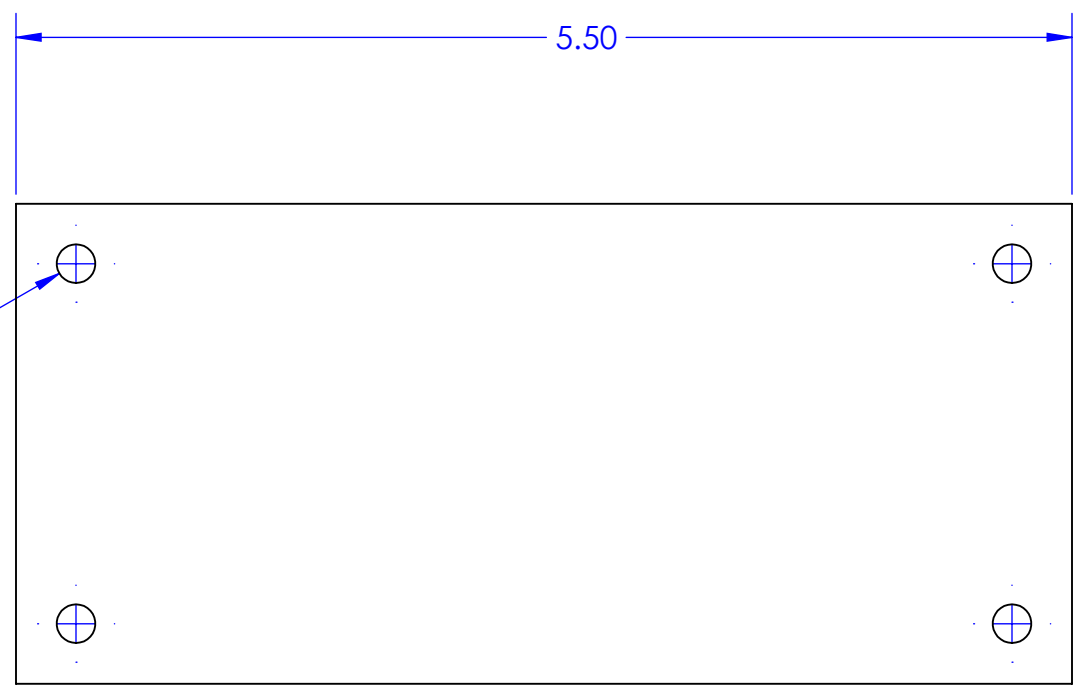
2

1

REVISION HISTORY			
REV.	CHANGE SUMMARY	DCO	RELEASE DATE

D

D

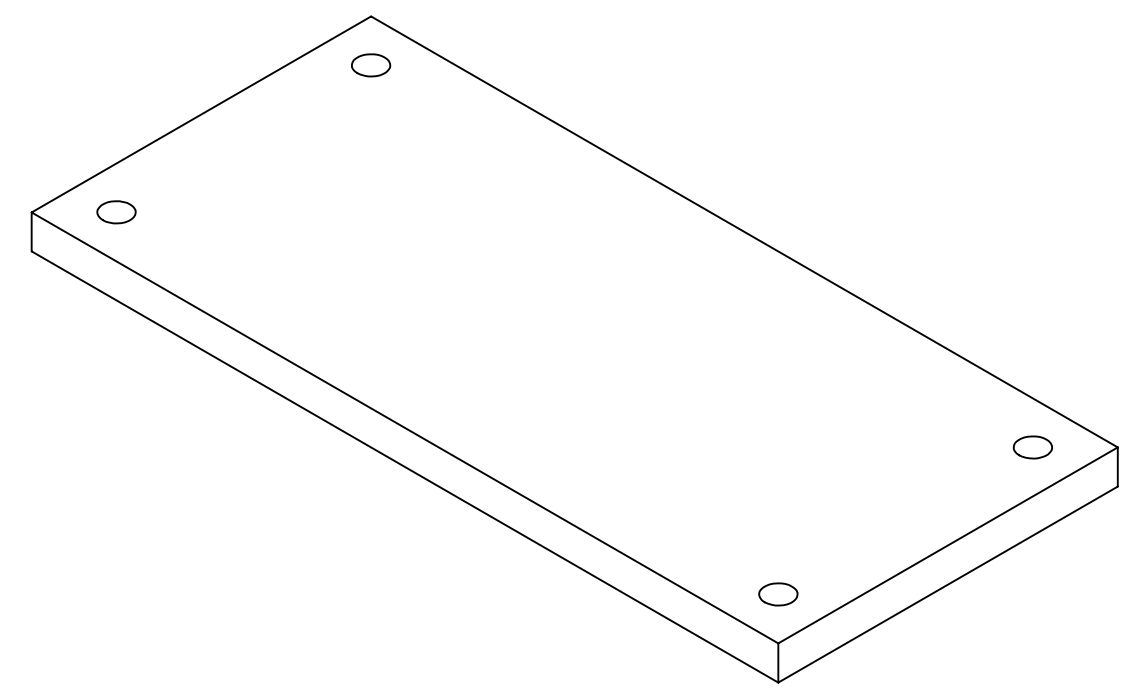


4X Ø .20 THRU

5.50

C

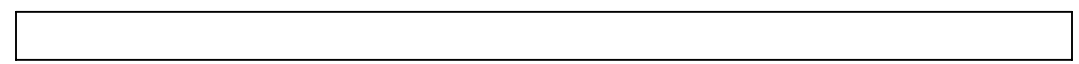
C



.25

B

B



ANODIZED BLACK ALL AROUND
QUANTITY: 2

A

A

SUPPLIER SHALL NOT MAKE CHANGES TO DRAWINGS, DESIGN SPECIFICATIONS, PROCESSES, MATERIALS, AND/OR WORK DETAIL BY THIS SPECIFICATION WITHOUT NOTIFICATION TO AND WRITTEN AUTHORIZATION FROM COMPANY.	THIRD ANGLE PROJECTION 	FINISH: ANODIZED BLACK MATERIAL: 6061-T6 ALUMINUM	COMPANY:		
	UNLESS OTHERWISE SPECIFIED: DIMENSIONS ARE IN INCHES .X ± .03 .XX ± .01 .XXX ± .005 FRACTIONAL: ± 1/32 ANGULAR: ± 30' MACHINED SURFACES (Ra): 32 MICRONS	TITLE: DISPLAY PLAQUE	SIZE B	DWG. NO. 15-00-000	REV A
	DO NOT SCALE DRAWING	CHECKED: N. BURT. DATE: 02/16/23	SCALE: 1:1	SHEET: 1 OF 1	
	DRAWN: B. FIELDS DATE: 02/16/23	DATE: 02/16/23			

8

7

6

5

4

3

2

1