

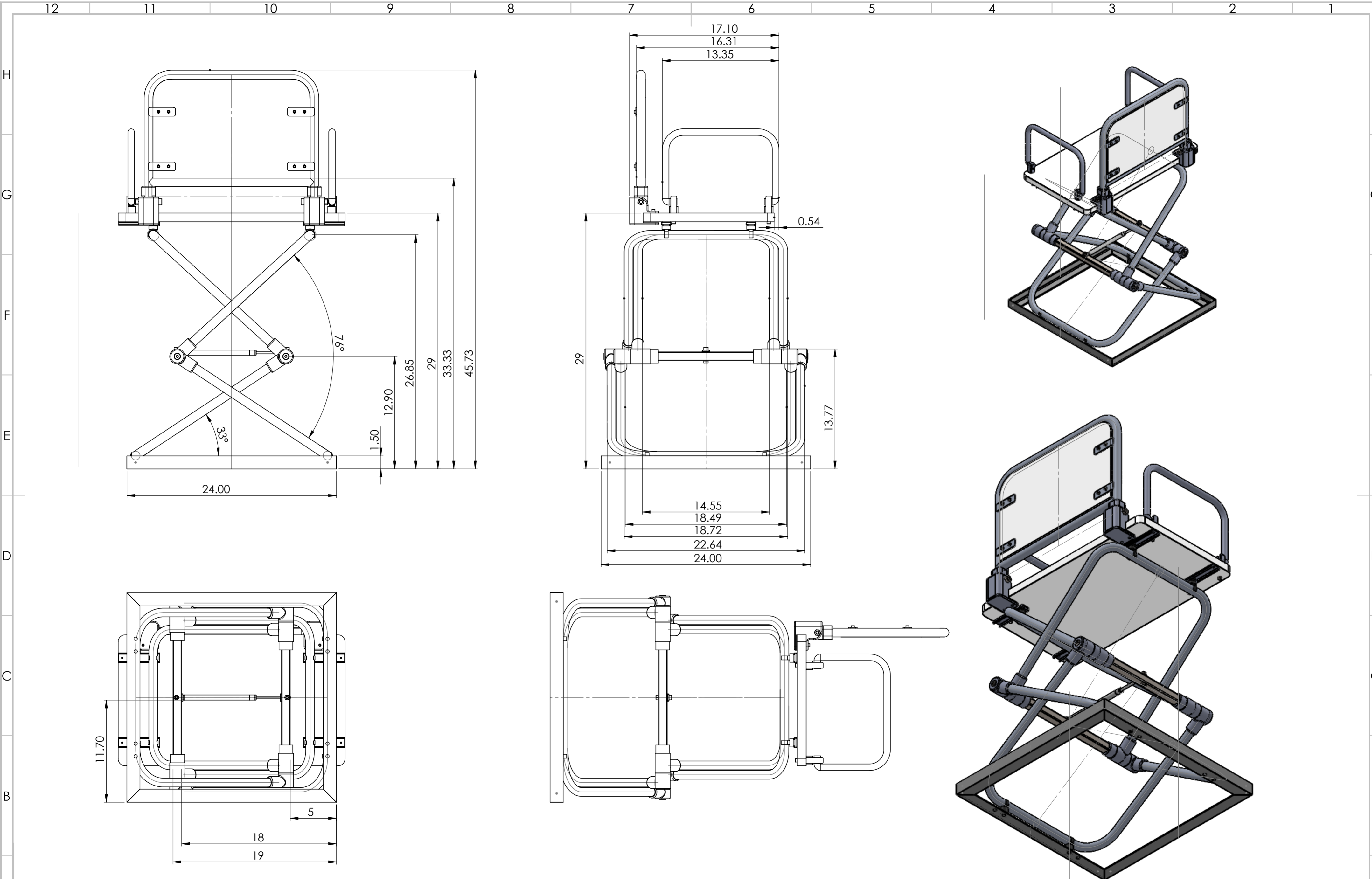
ITEM NO.	PART NUMBER	DESCRIPTION	QTY.
1	Upper Base square bracket	Multipurpose 6061 Aluminum 90 Degree Angle	2
2	Lower Base - square bracket	Multipurpose 6061 Aluminum 90 Degree Angle	2
3	Leg 1	Multipurpose 6061 Aluminum 90 Degree Angle	1
4	Junction - Leg 1	Polycarbonate	4
5	Leg 2	Multipurpose 6061 Aluminum 90 Degree Angle	1
6	Mddle Frame Support	Multipurpose 6061 Aluminum	1
7	Bracket for backrest	Polycarbonate	1
8	Armrests	Polycarbonate	2
9	Seat	Wood with cushioned seat	1
10	Back Rest	Polycarbonate with cushion	1
11	Coupling for joining legs 1 & 2	Polycarbonate	4
12	Coupling for legs 3 & 4	Polycarbonate	3
13	Support tubes - (Base)	Polycarbonate	4
14	Support tubes - (Base)	Polycarbonate	4
15	support tubes - (Armrests)	Polycarbonate	4
16	Support Tubing - (Backrest)	Polycarbonate	2
17	Support Hinges - (Backrest)	Polycarbonate	2
18	Pipe Connector	Polycarbonate	1
19	Leg 3	Multipurpose 6061 Aluminum 90 Degree Angle	1
20	Leg 4	Multipurpose 6061 Aluminum 90 Degree Angle	1
21	Middle Frame Support	Multipurpose 6061 Aluminum	1
22	Slider to move upper legs	Polycarbonate	4
23	Washers between hinges for backrests	Multipurpose 6061 Aluminum	1
24	Washers	Multipurpose 6061 Aluminum	1
25	Extra Washer	Multipurpose 6061 Aluminum	1
26	Left hook for spring	Multipurpose 6061 Aluminum	1
27	Right hook for spring	Multipurpose 6061 Aluminum	1
28	ISO 7379 - 13 x 80 --- N	Open socket head shoulder screw	4
29	B18.2.2.4M - Hex flange nut, M10 x 1.5, with 15 WAF --N	Aluminum hex flange nut	4
30	ISO 7379 - 12 x 50 --- N	Open socket head shoulder screw	2
31	ISO - 4032 - M10 - W - N	Open hex nut	2
32	ISO 7046-1 - M2 x 10 - Z - 10N	open countersunk flat head cross screw	4
33	ISO 4762 M6 x 25 - 25N	Open socket head cap screw	4
34	ISO 4762 M5 x 8 - 8N	Open socket head cap screw	12
35	ISO 4762 M8 x 35 - 35N	Open socket head cap screw	2
36	ISO - 4032 - M8 - W - N	Open hex nut	2

ENGINEERING CHANGE HISTORY					
TYP	DATE	EC NO.	TYP	DATE	EC NO.

MATERIAL AND SURFACE TREATMENT
TOLERANCE UNLESS NOTED
LINEAR = +0.2
ANGLES = ± 2°
RADII UNLESS NOTED

DESIGNER APPROVED
PREVIOUS PART NO.
SCALE:1=1
TITLE:

PART NUMBER.
EC NO.
DATE
makeup chair exploded view



ENGINEERING CHANGE HISTORY					
TYP	DATE	EC NO.	TYP	DATE	EC NO.

SI METRIC

MATERIAL AND SURFACE TREATMENT

TOLERANCE UNLESS NOTED

LINEAR (+/-)

ANGLES (+/-)

RADII UNLESS NOTED

DESIGNER APPROVED

PREVIOUS PART NO.

SCALE: 1:10

TITLE:

PART NUMBER.

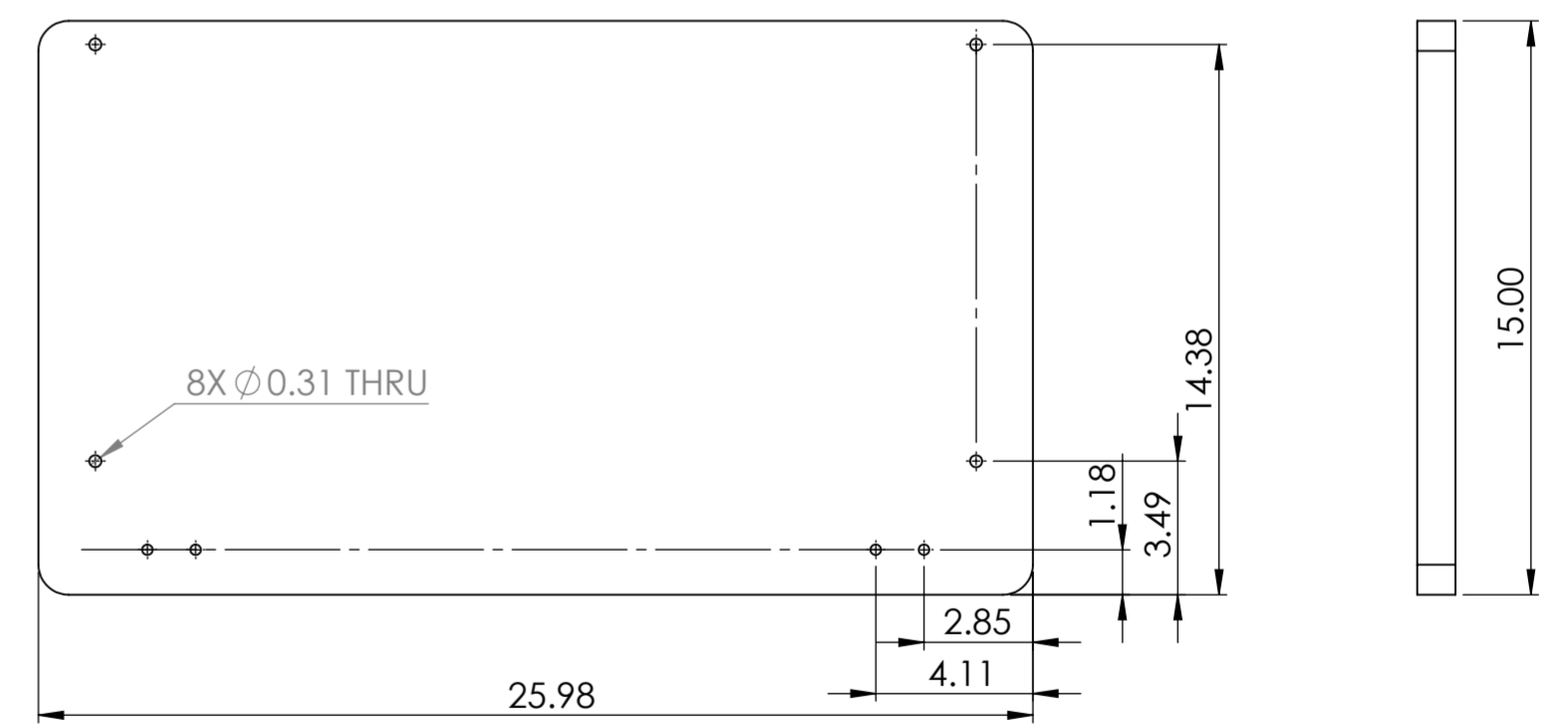
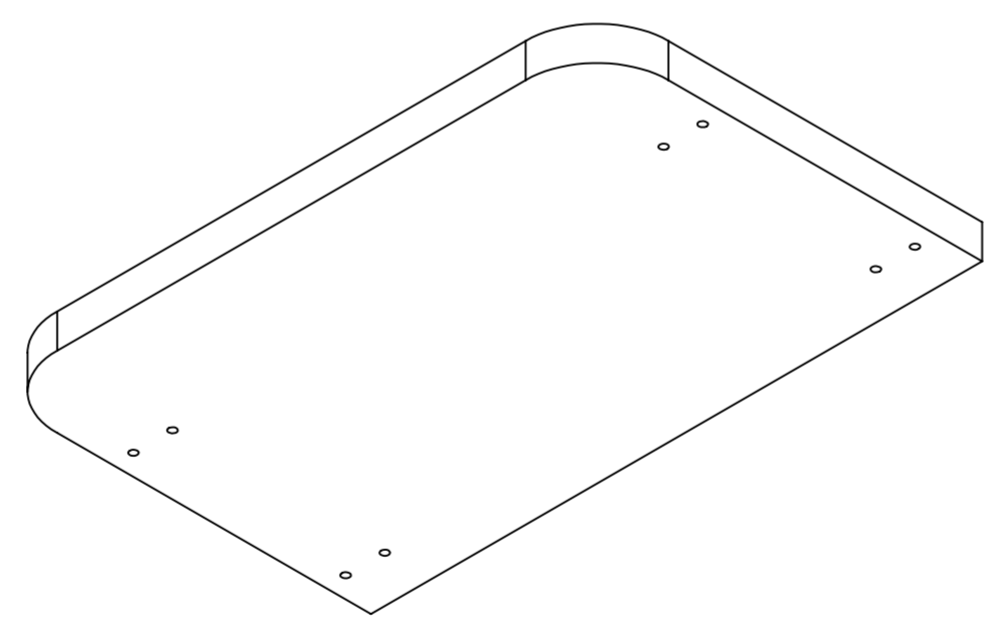
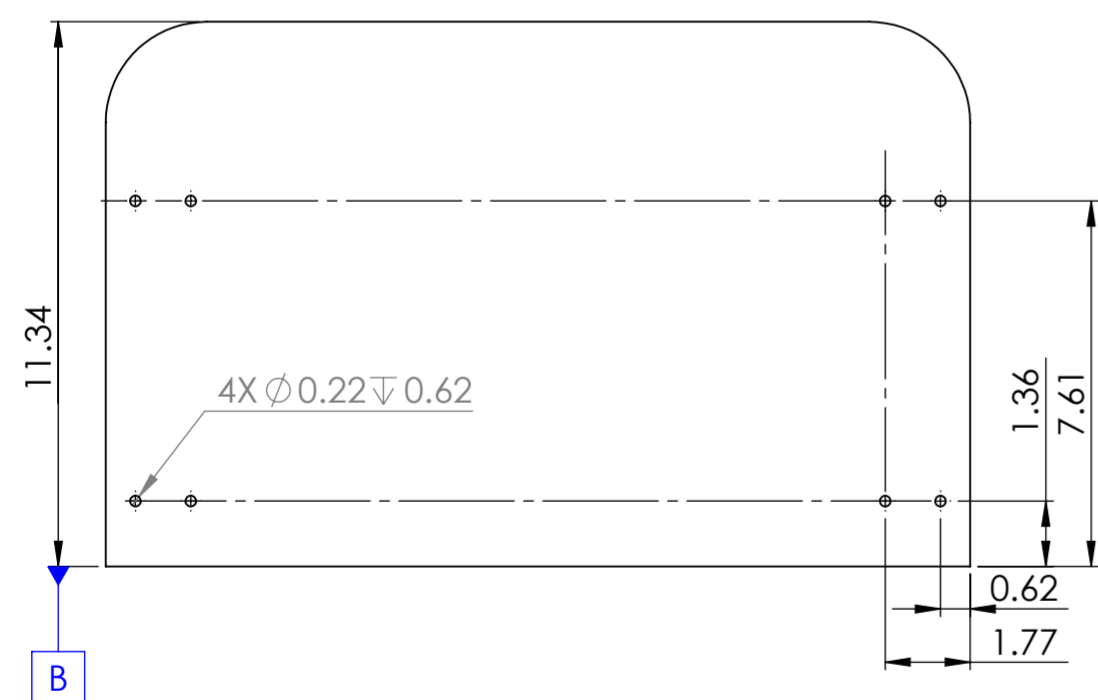
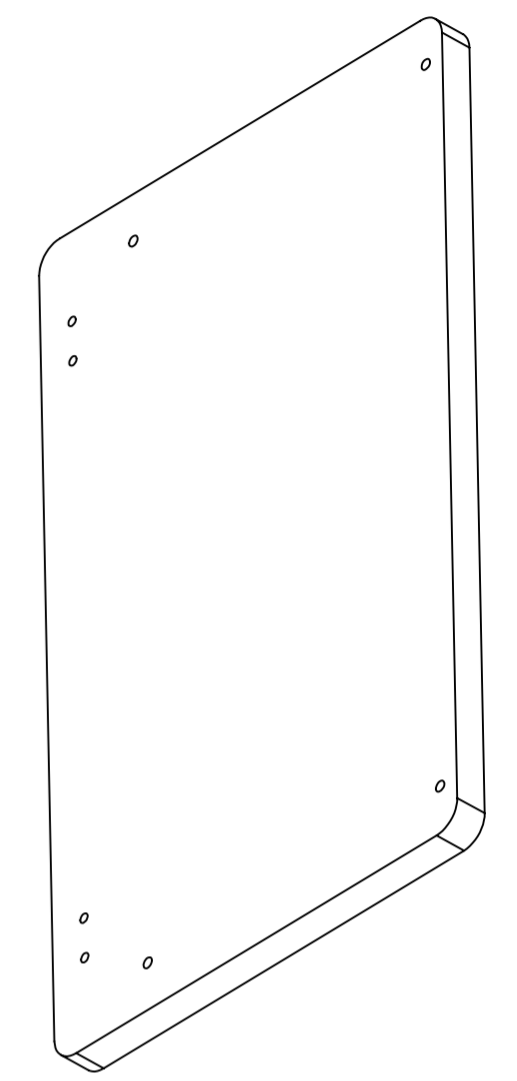
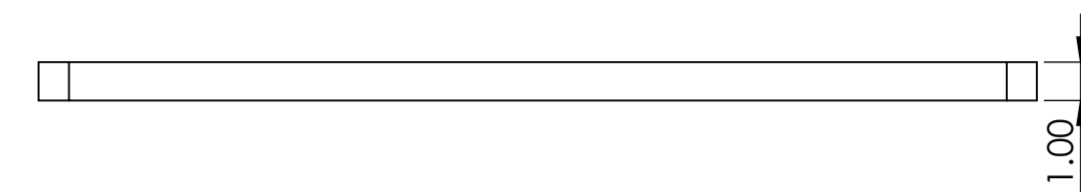
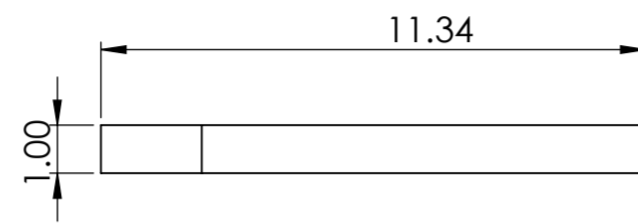
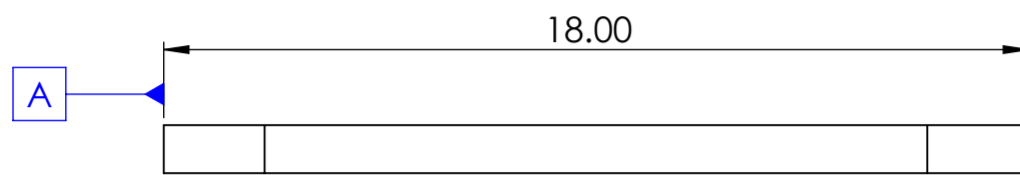
EC NO.

DATE

makeup chair exploded view

ITEM NO.	PART NUMBER	DESCRIPTION	QTY.
1	Back Rest	Polycarbonate with cushion	1

ITEM NO.	PART NUMBER	DESCRIPTION	QTY.
1	Seat	Wood with cushioned seat	1



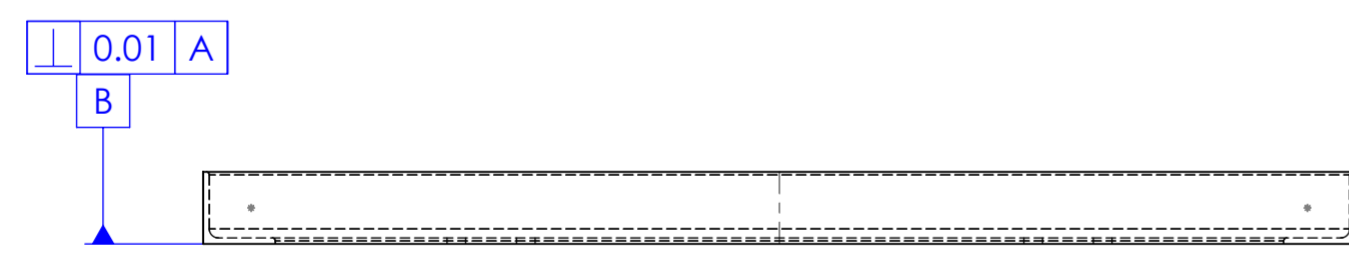
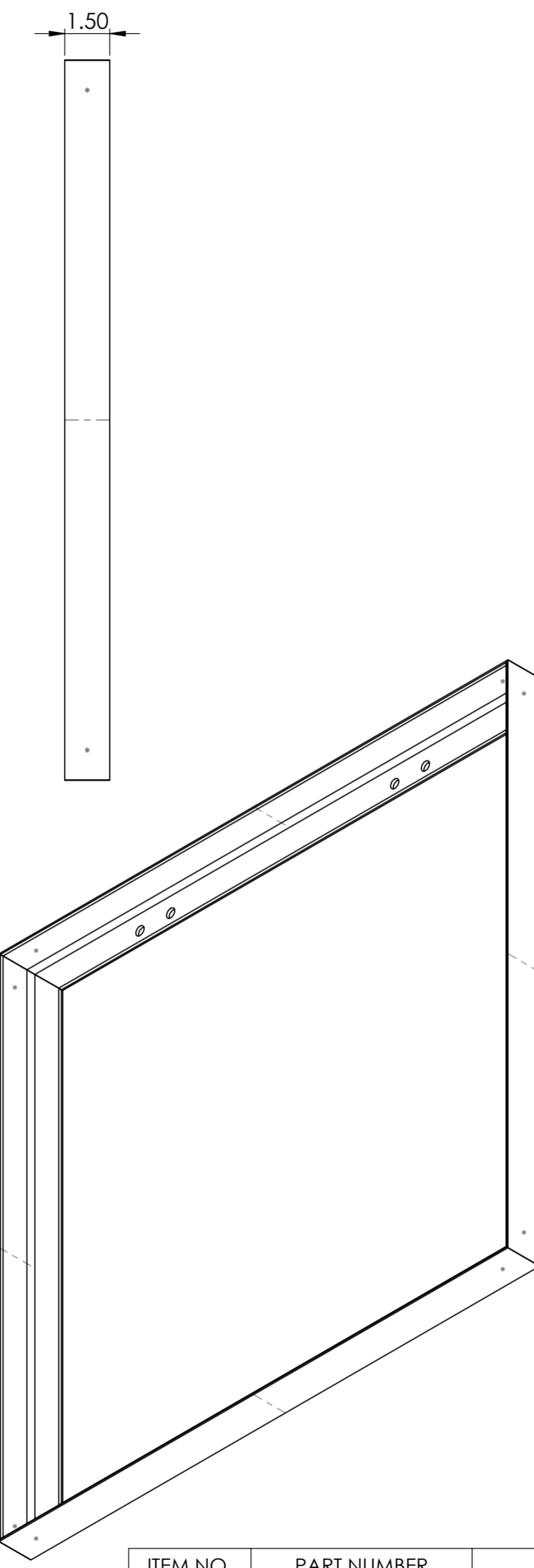
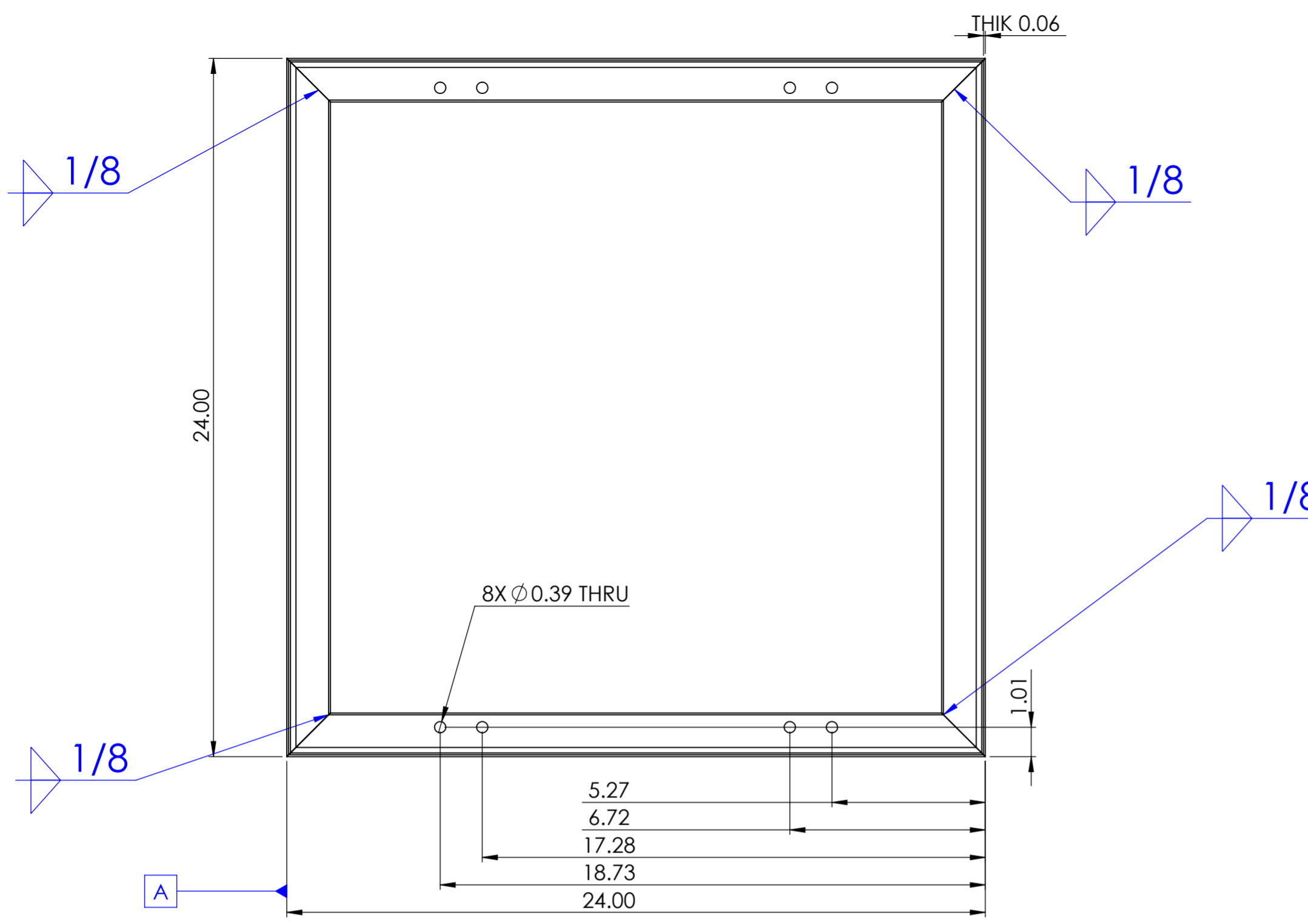
ENGINEERING CHANGE HISTORY					
TYP	DATE	EC NO.	TYP	DATE	EC NO.

SI METRIC
-----------

MATERIAL AND SURFACE TREATMENT
TOLERANCE UNLESS NOTED
LINEAR (+/-)
ANGLES (+/-)
RADII UNLESS NOTED

DESIGNER APPROVED	PREVIOUS PART NO.	SCALE: 1:5	TITLE:
-------------------	-------------------	------------	--------

PART NUMBER	Polycarbonate with cushion
EC NO.	
DATE	
makeup chair-PARTS	



ITEM NO.	PART NUMBER	DESCRIPTION	QTY.
1	Upper Base square bracket	Multipurpose 6061 Aluminum 90 Degree Angle	2
2	Lower Base - square bracket	Multipurpose 6061 Aluminum 90 Degree Angle	2

ENGINEERING CHANGE HISTORY					
TYP	DATE	EC NO.	TYP	DATE	EC NO.

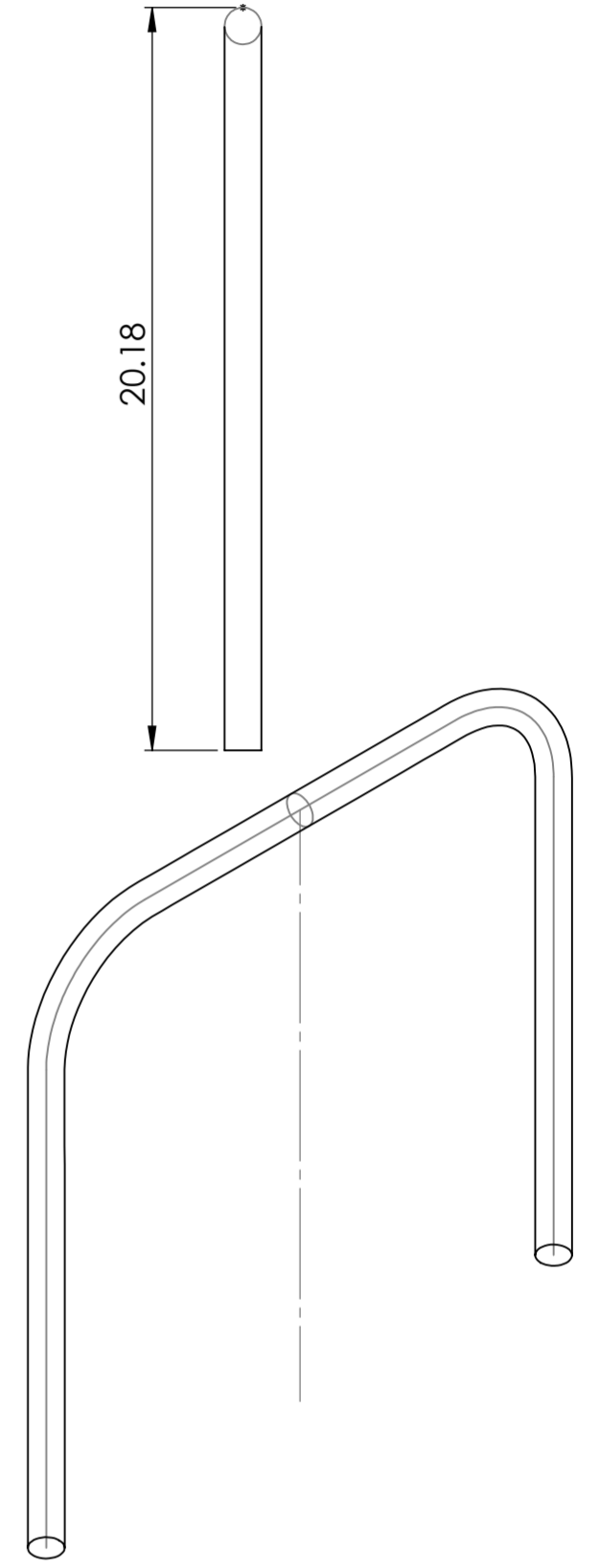
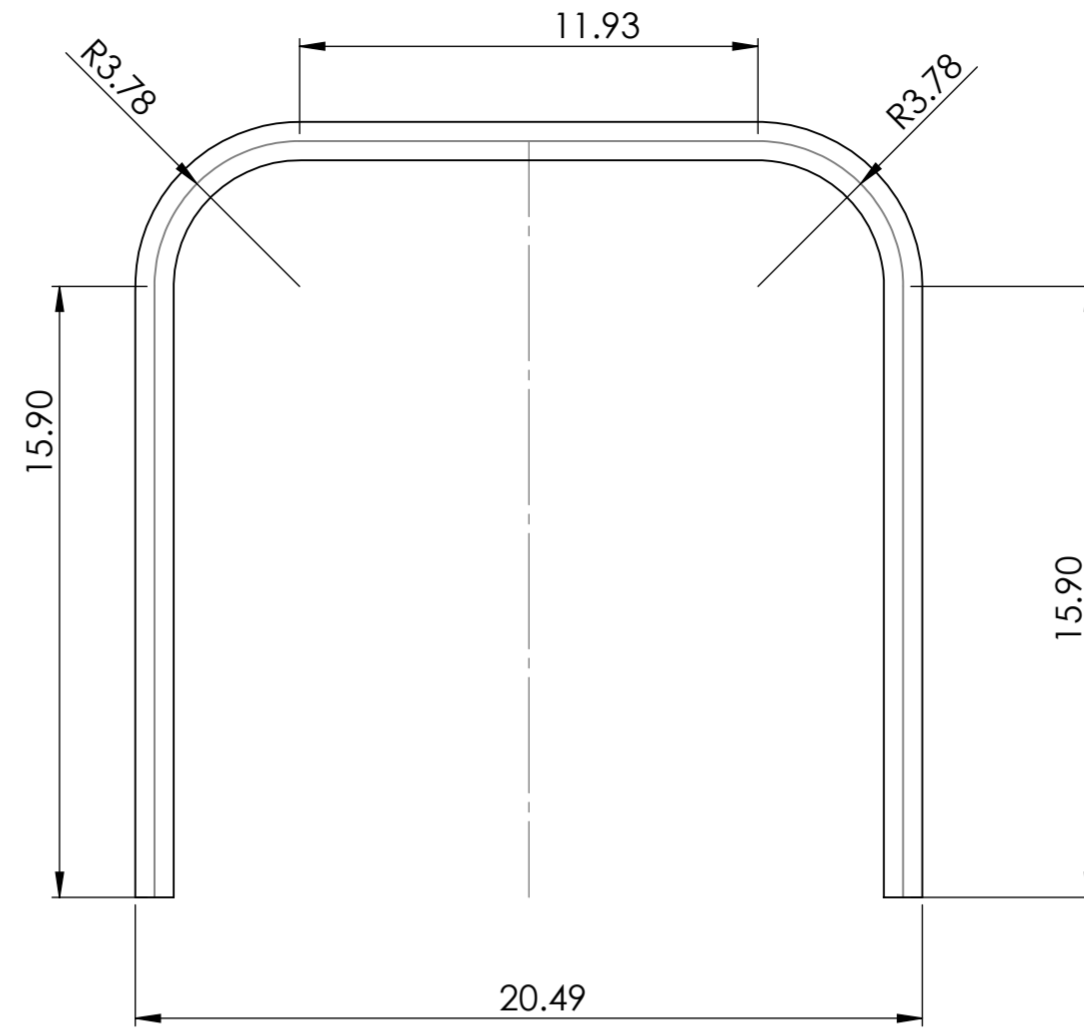
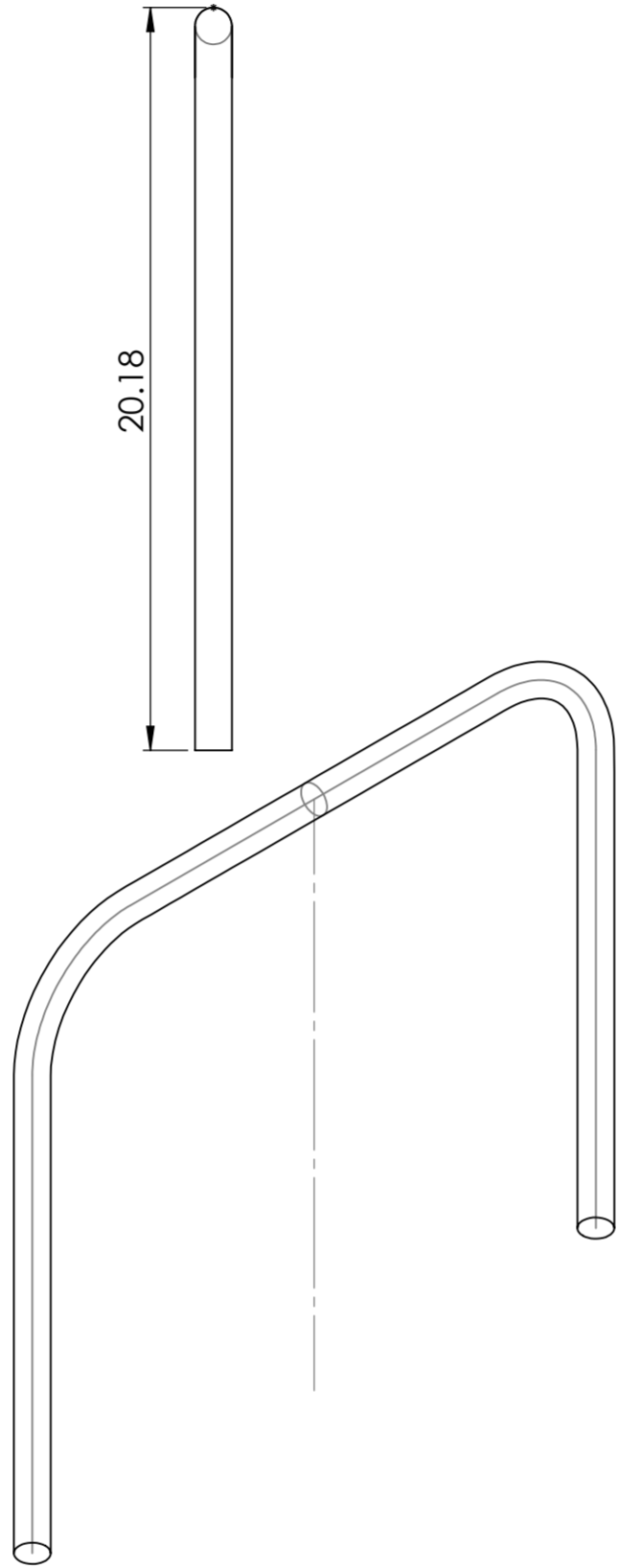
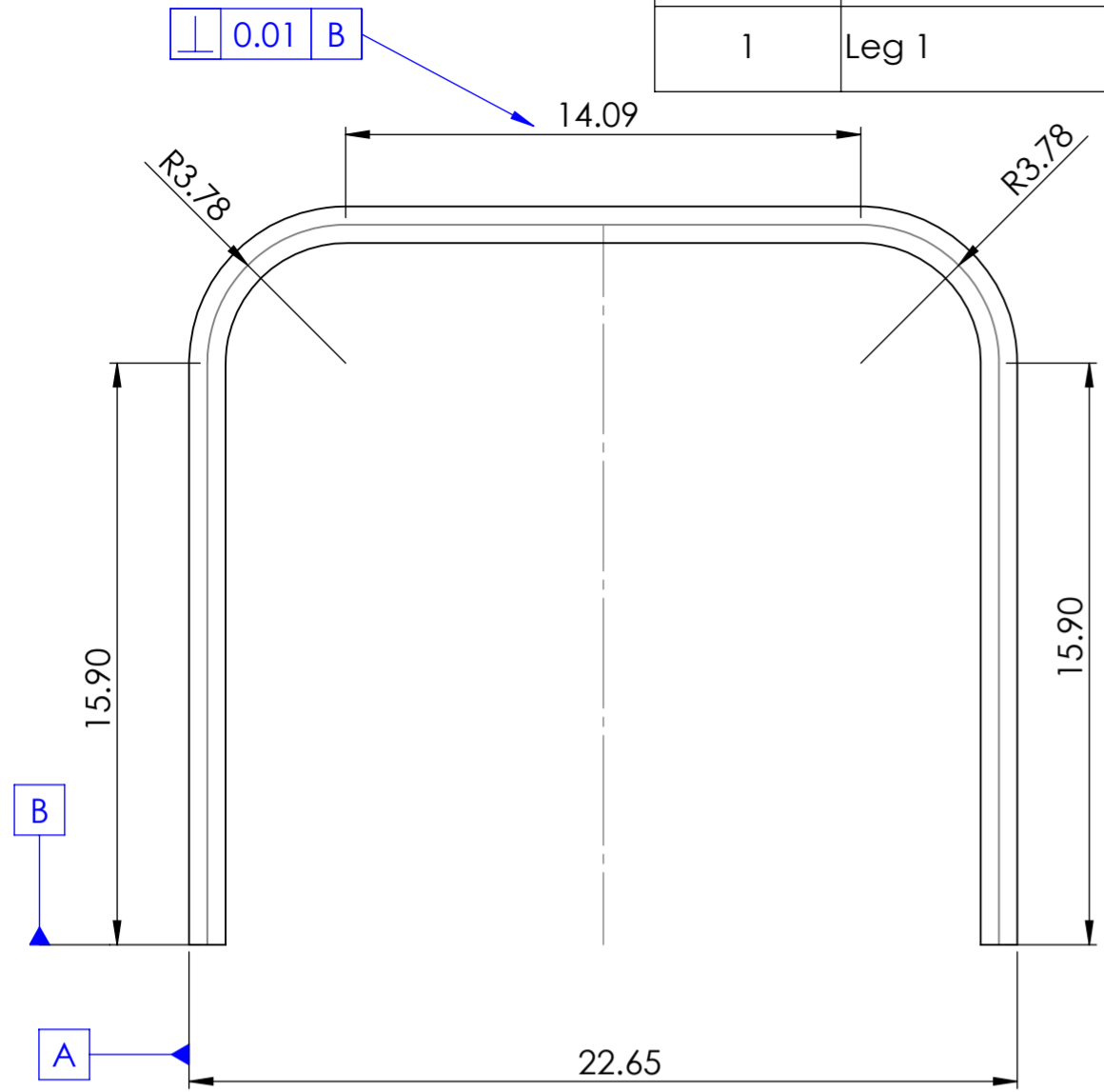
SI METRIC	MATERIAL AND SURFACE TREATMENT	
	TOLERANCE UNLESS NOTED	
	LINEAR (+/-)	
	ANGLES (+/-)	
	RADII UNLESS NOTED	

DESIGNER APPROVED		PREVIOUS PART NO.	SCALE: 1:5	TITLE:

PART NUMBER.	
EC NO.	
DATE	
makeup chair-PARTS	

ITEM NO.	PART NUMBER	DESCRIPTION	QTY.
1	Leg 1	Multipurpose 6061 Aluminum 90 Degree Angle	1

ITEM NO.	PART NUMBER	DESCRIPTION	QTY.
1	Leg 3	Multipurpose 6061 Aluminum 90 Degree Angle	1



ENGINEERING CHANGE HISTORY					
TYP	DATE	EC NO.	TYP	DATE	EC NO.

SI METRIC
-----------

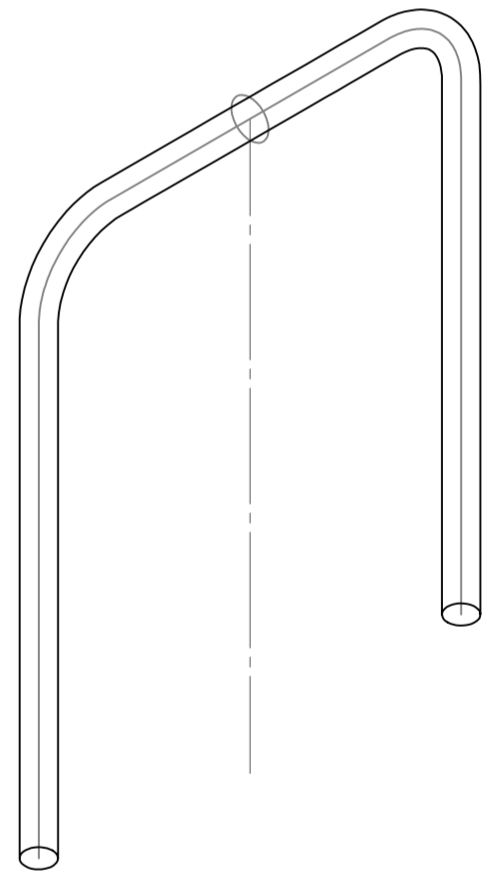
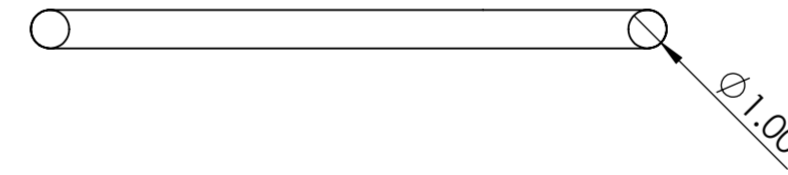
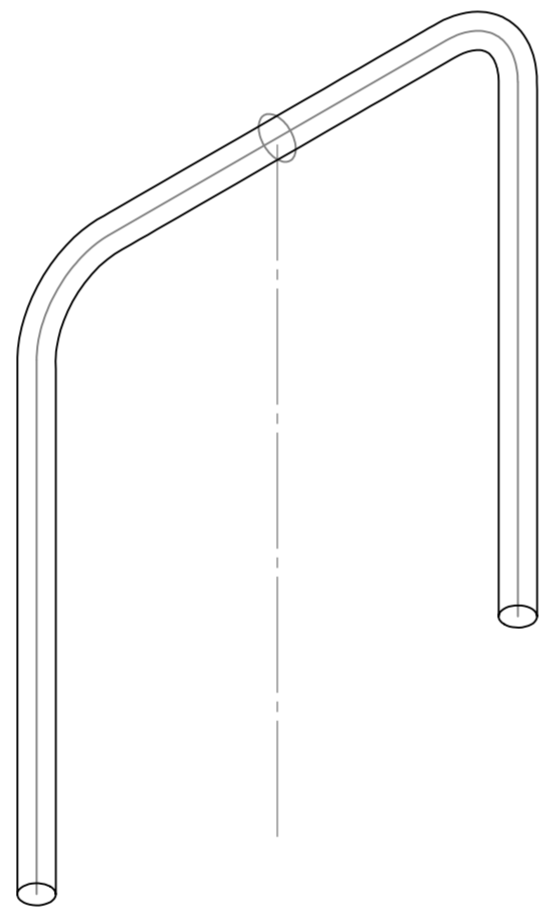
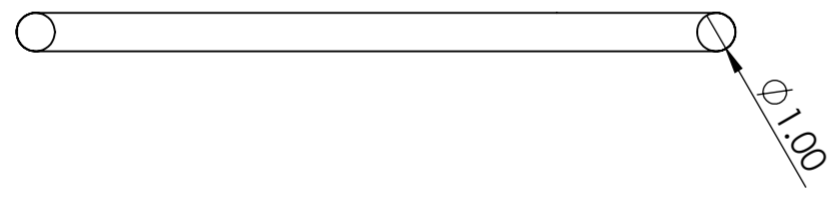
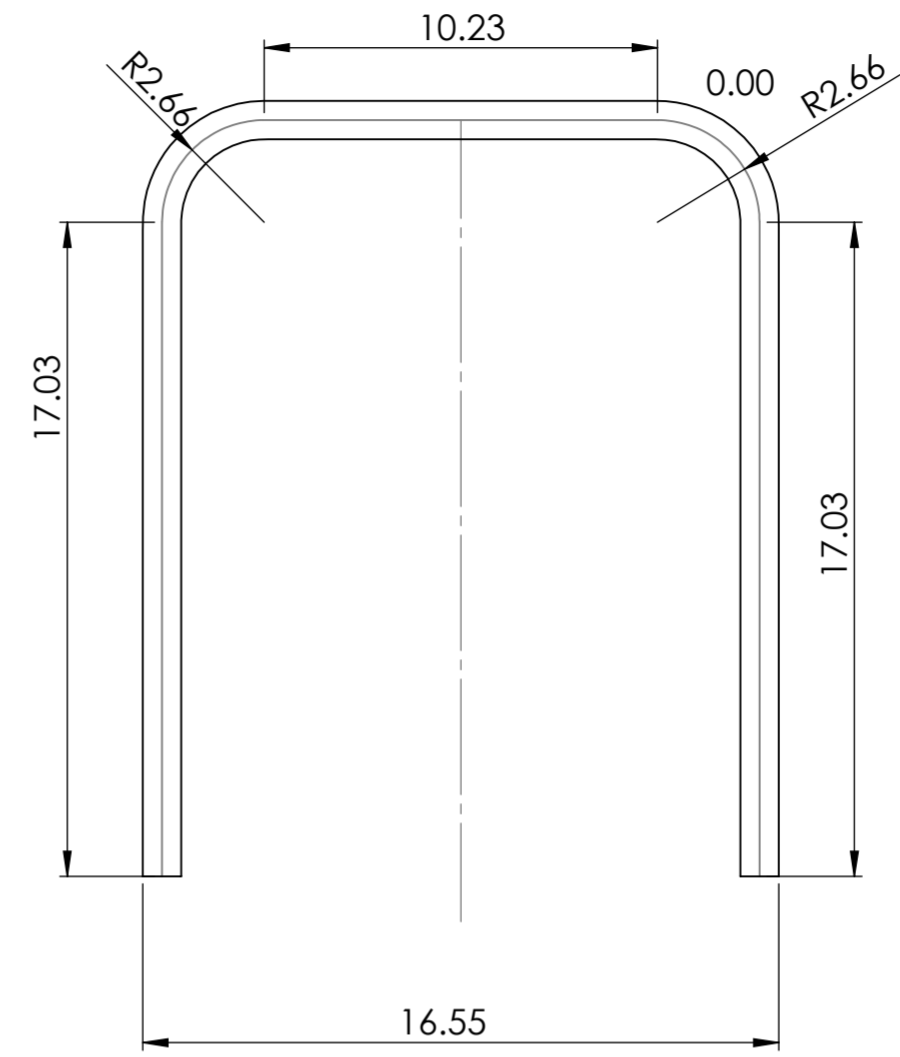
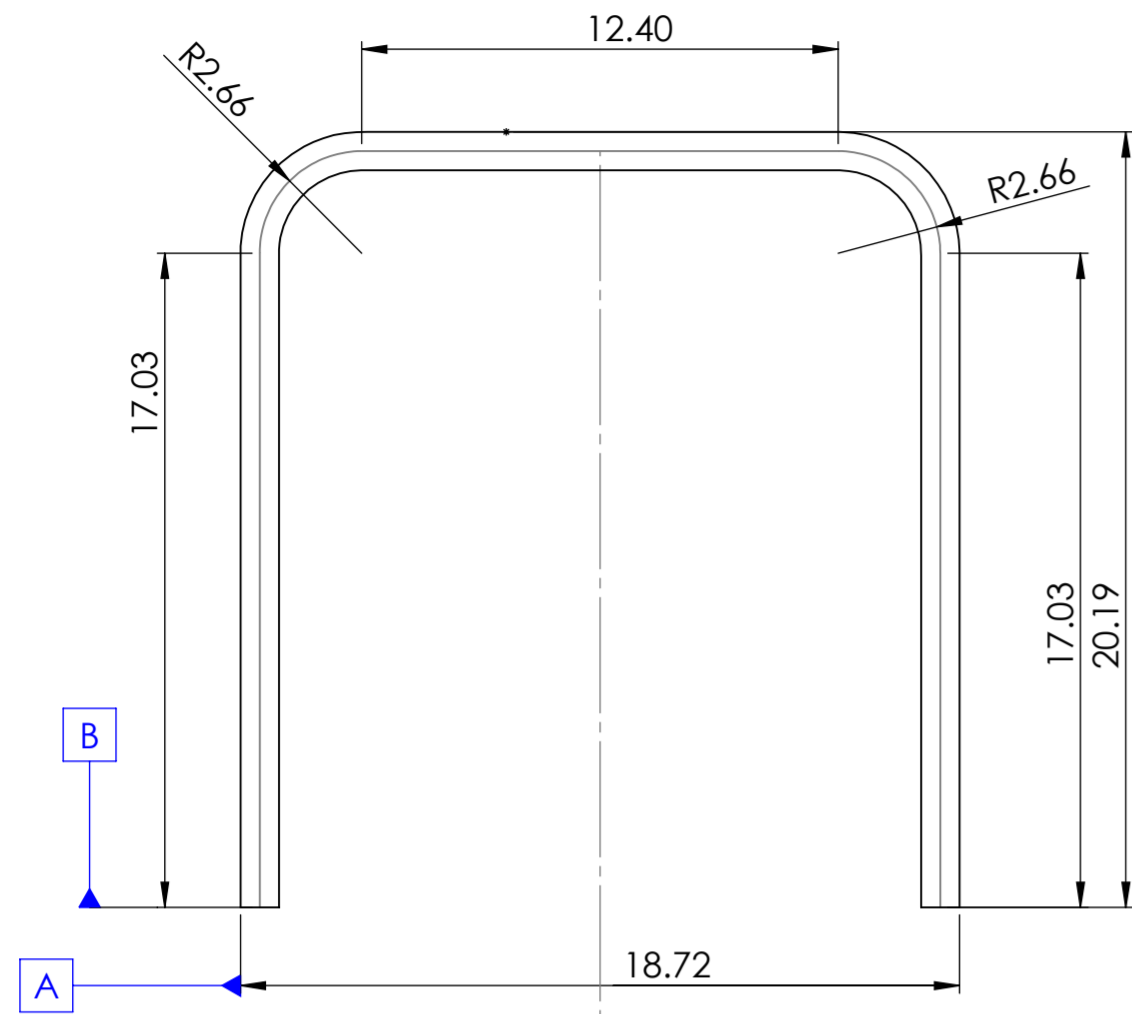
MATERIAL AND SURFACE TREATMENT
TOLERANCE UNLESS NOTED
LINEAR (+/-)
ANGLES (+/-)
RADII UNLESS NOTED

DESIGNER APPROVED	PREVIOUS PART NO.	SCALE: 1:5	TITLE:
-------------------	-------------------	------------	--------

PART NUMBER	DATE	makeup chair-PARTS
-------------	------	--------------------

ITEM NO.	PART NUMBER	DESCRIPTION	QTY.
1	Leg 2	Multipurpose 6061 Aluminum 90 Degree Angle	1

ITEM NO.	PART NUMBER	DESCRIPTION	QTY.
1	Leg 4	Multipurpose 6061 Aluminum 90 Degree Angle	1



ENGINEERING CHANGE HISTORY					
TYP	DATE	EC NO.	TYP	DATE	EC NO.

SI METRIC
-----------

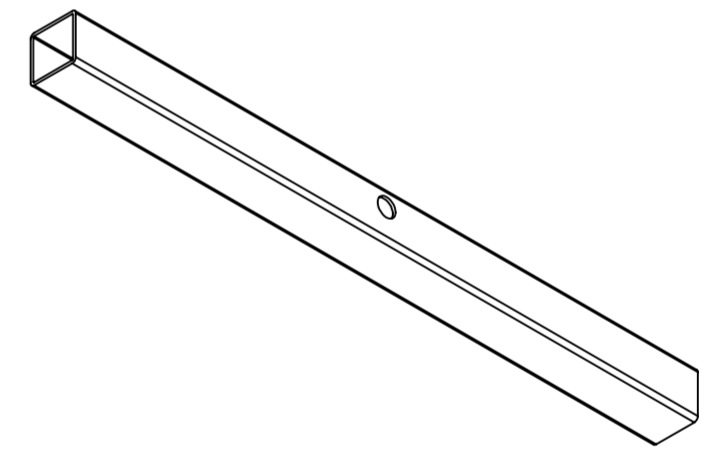
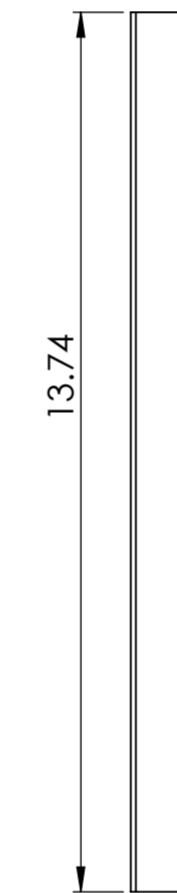
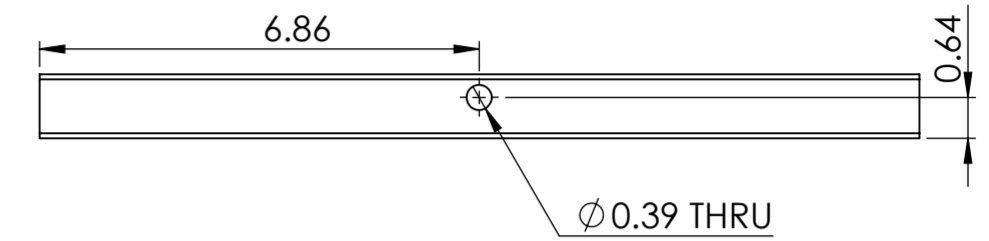
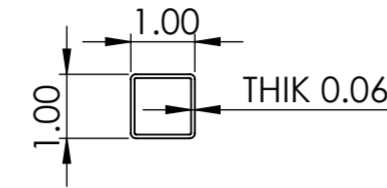
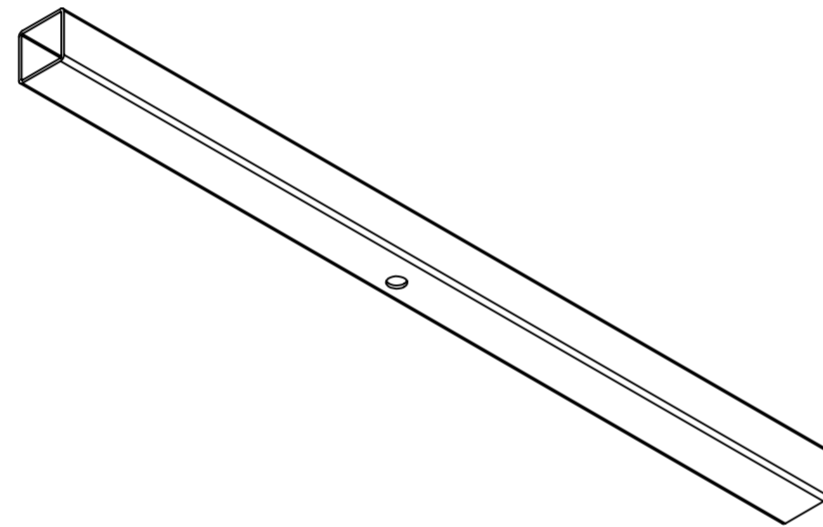
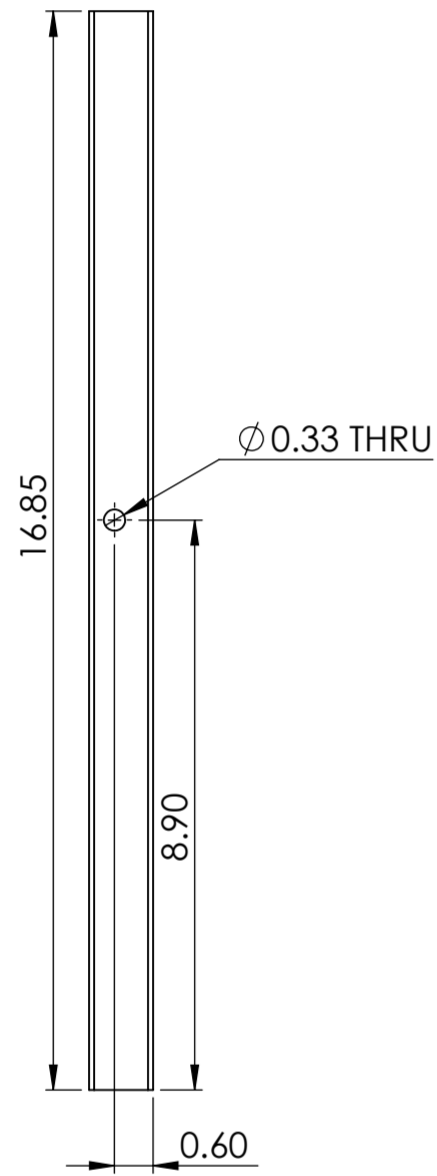
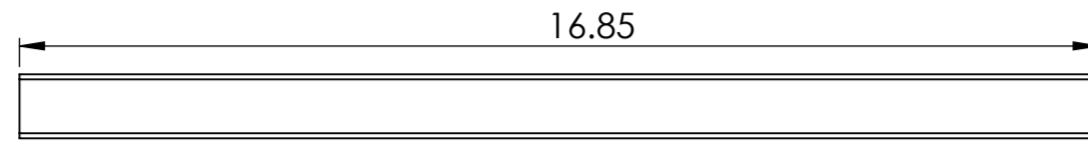
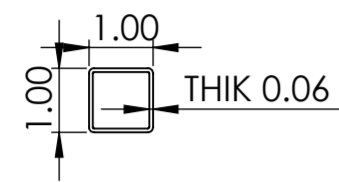
MATERIAL AND SURFACE TREATMENT
TOLERANCE UNLESS NOTED
LINEAR (+/-)
ANGLES (+/-)
RADII UNLESS NOTED

DESIGNER APPROVED
PREVIOUS PART NO.
SCALE: 1:5
TITLE:

PART NUMBER.
EC NO.
DATE
makeup chair-PARTS

ITEM NO.	PART NUMBER	DESCRIPTION	QTY.
1	Mddle Frame Support	Multipurpose 6061 Aluminum	1

ITEM NO.	PART NUMBER	DESCRIPTION	QTY.
1	Middle Frame Support	Multipurpose 6061 Aluminum	1



ENGINEERING CHANGE HISTORY					
TYP	DATE	EC NO.	TYP	DATE	EC NO.

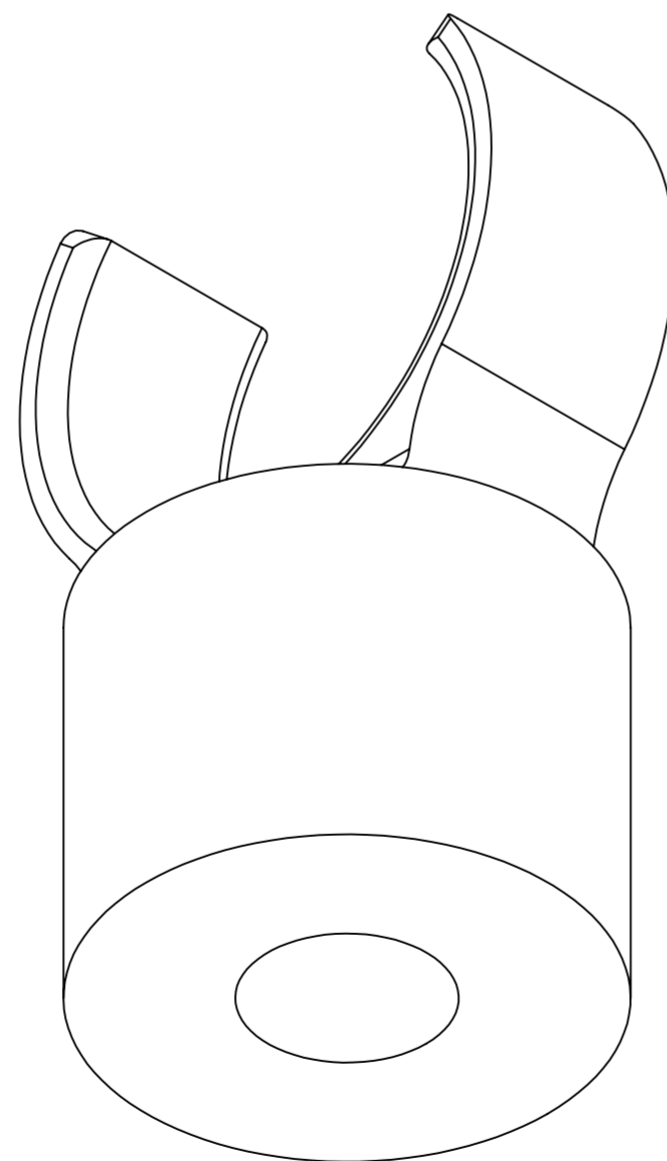
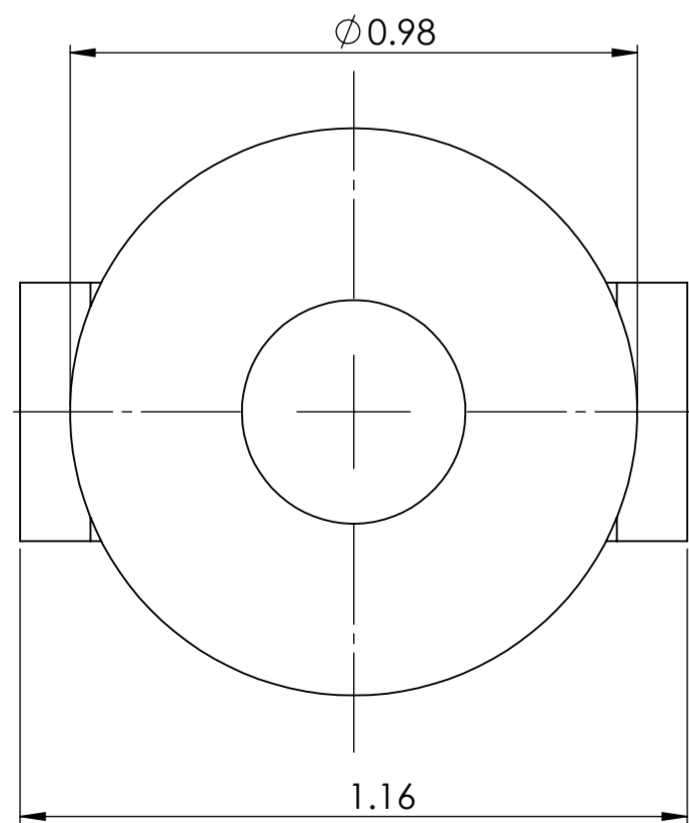
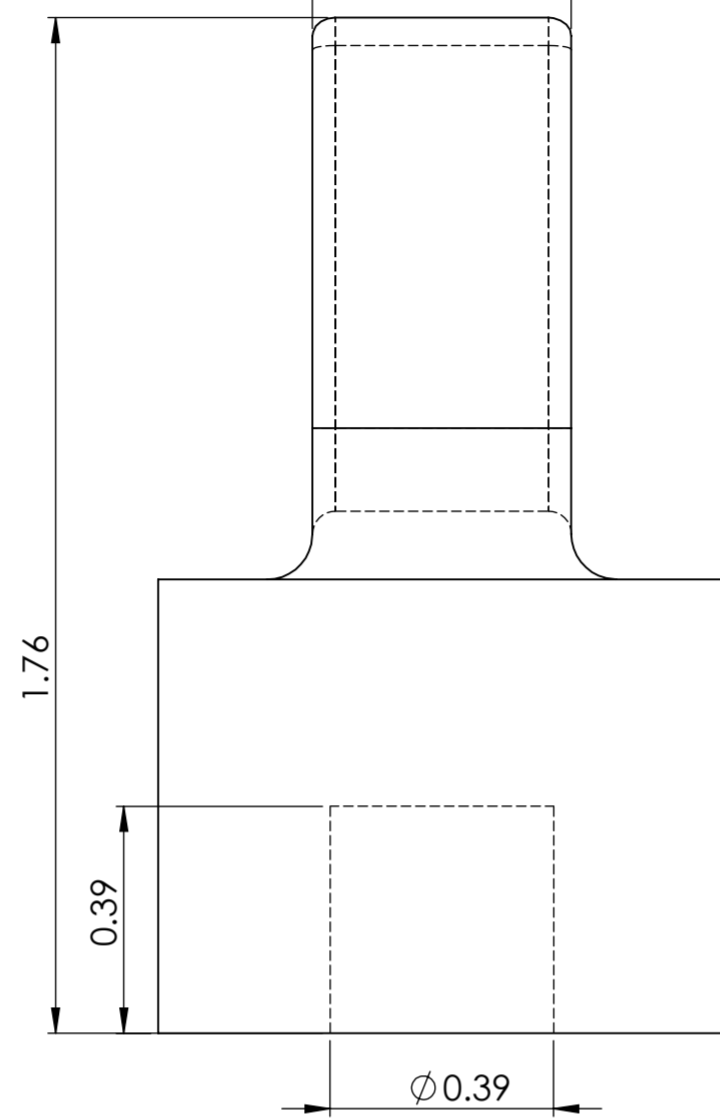
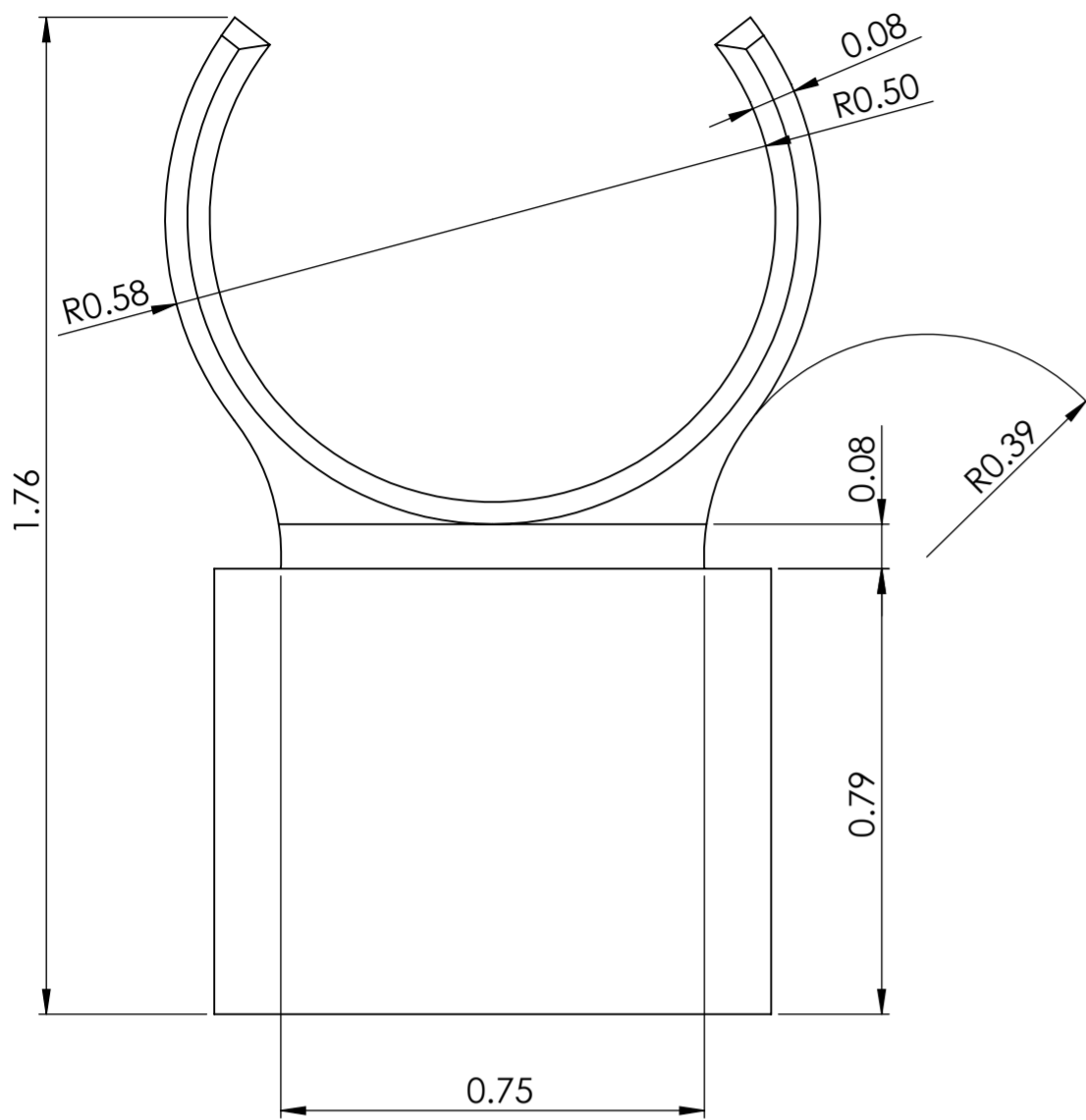
SI METRIC

MATERIAL AND SURFACE TREATMENT  
 TOLERANCE UNLESS NOTED  
 LINEAR (+/-)  
 ANGLES (+/-)  
 RADII UNLESS NOTED

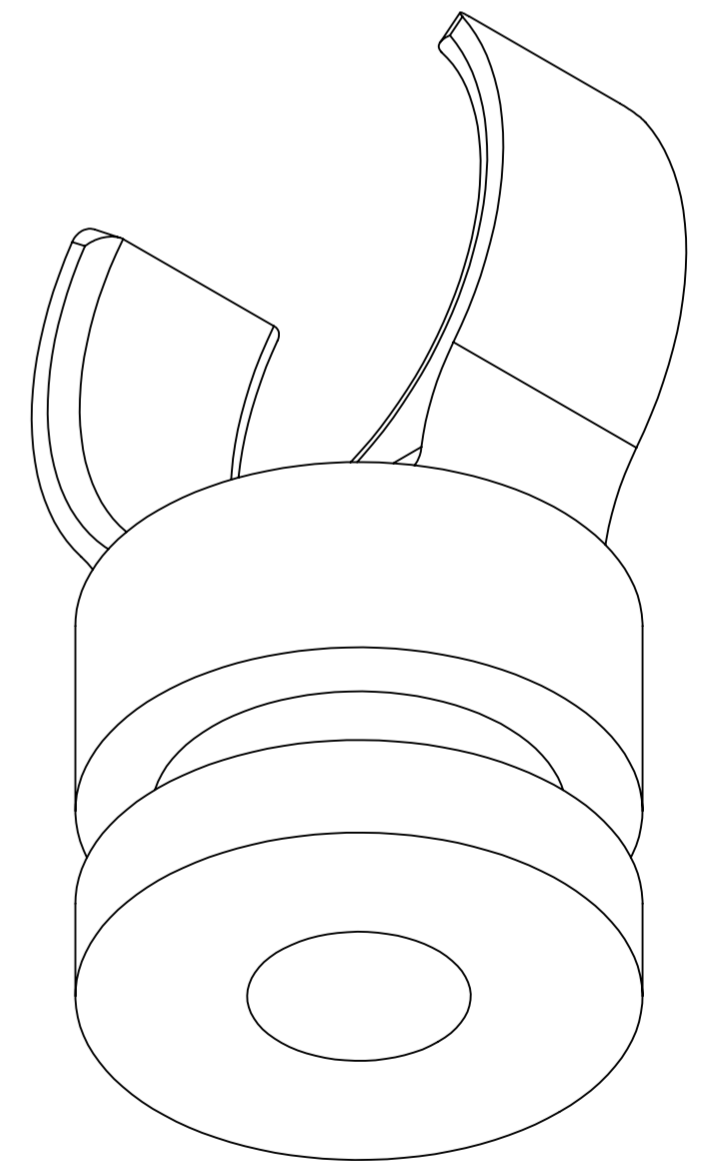
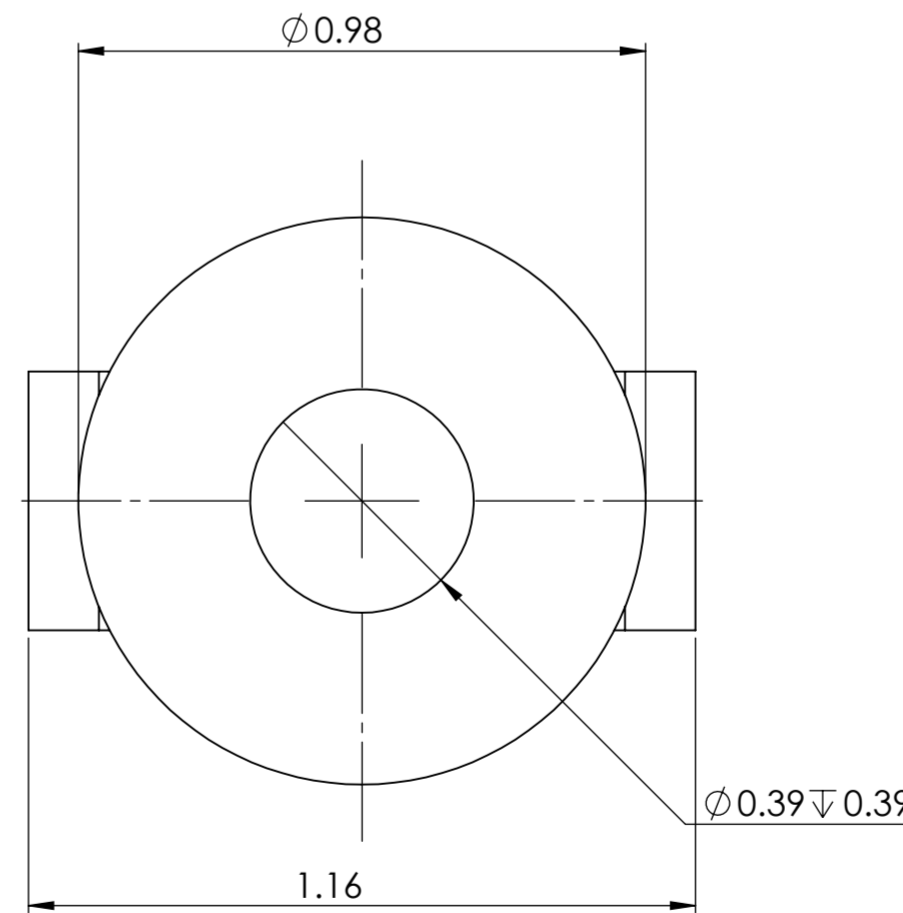
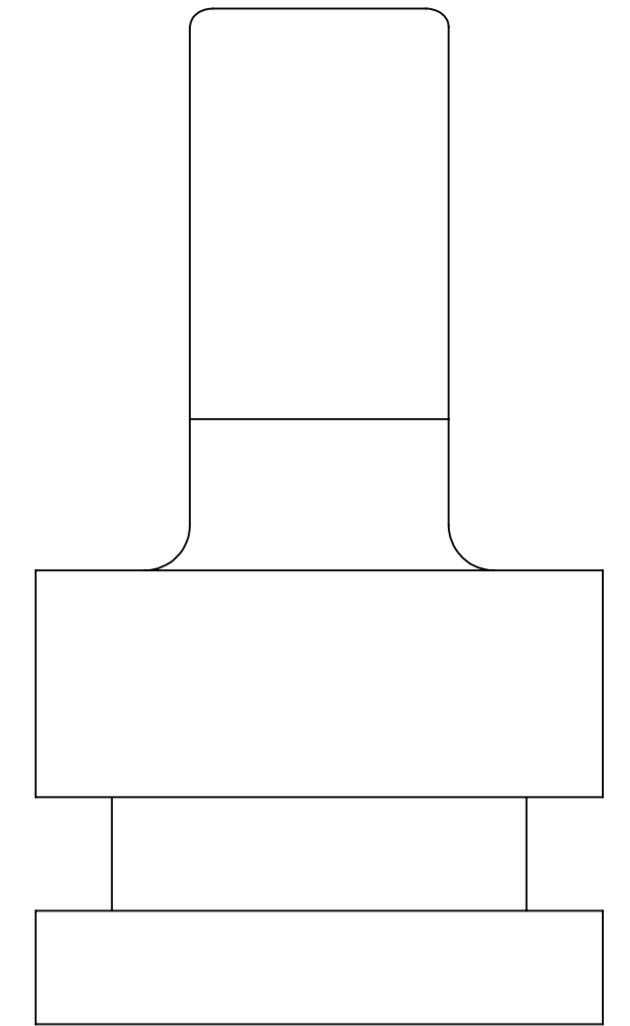
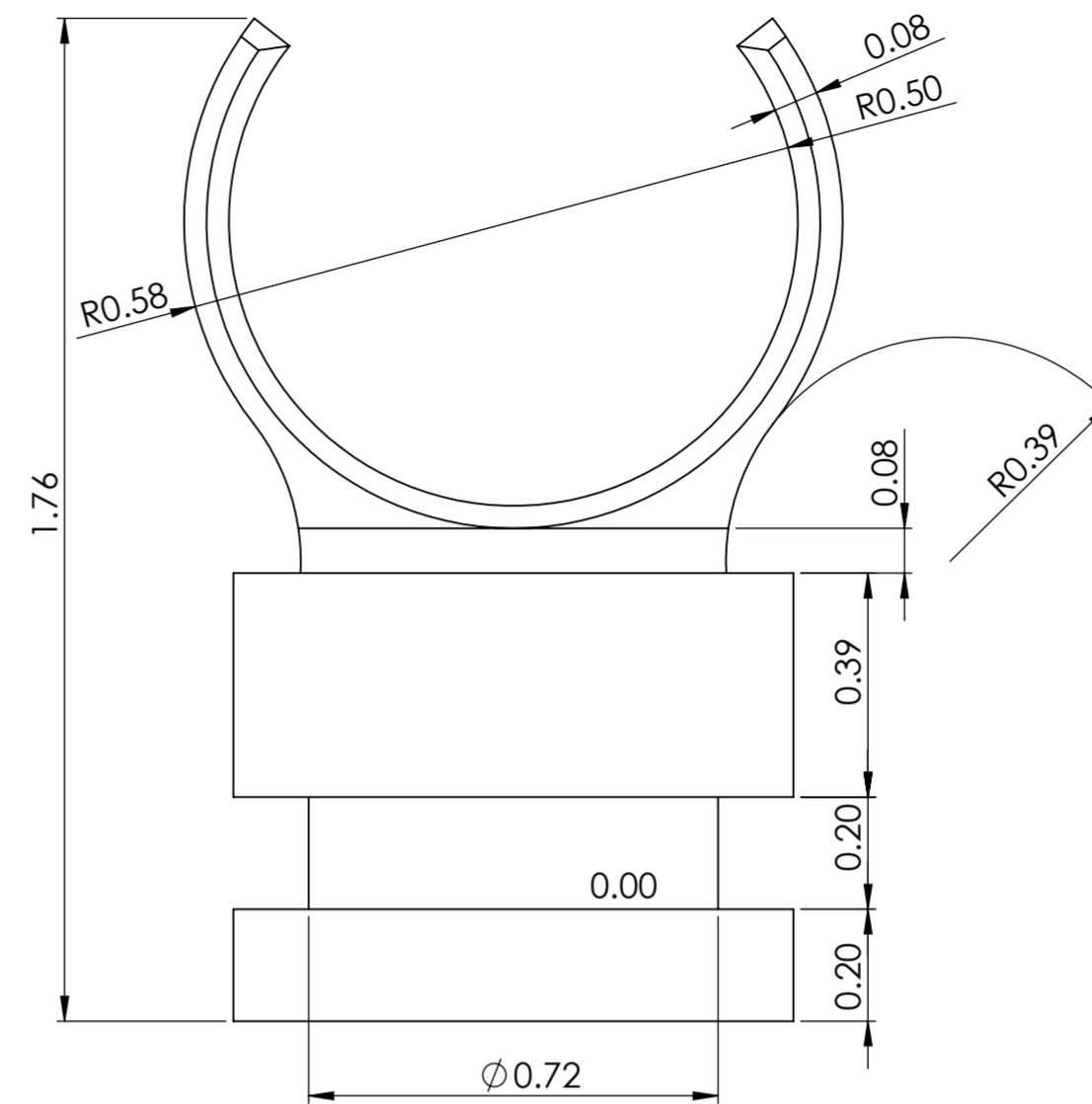
DESIGNER APPROVED  
 PREVIOUS PART NO.  
 SCALE: 1:5  
 TITLE:

PART NUMBER.  
 EC NO.  
 DATE  
 makeup chair-PARTS

ITEM NO.	PART NUMBER	DESCRIPTION	SW-Configuration Name(Configuration Name)	QTY.
1	Support tubes - (Base)	Polycarbonate	Default 0.45	1



ITEM NO.	PART NUMBER	DESCRIPTION	SW-Configuration Name(Configuration Name)	QTY.
1	Support tubes - (Base)	Polycarbonate	2	1



ENGINEERING CHANGE HISTORY					
TYP	DATE	EC NO.	TYP	DATE	EC NO.

SI METRIC
-----------

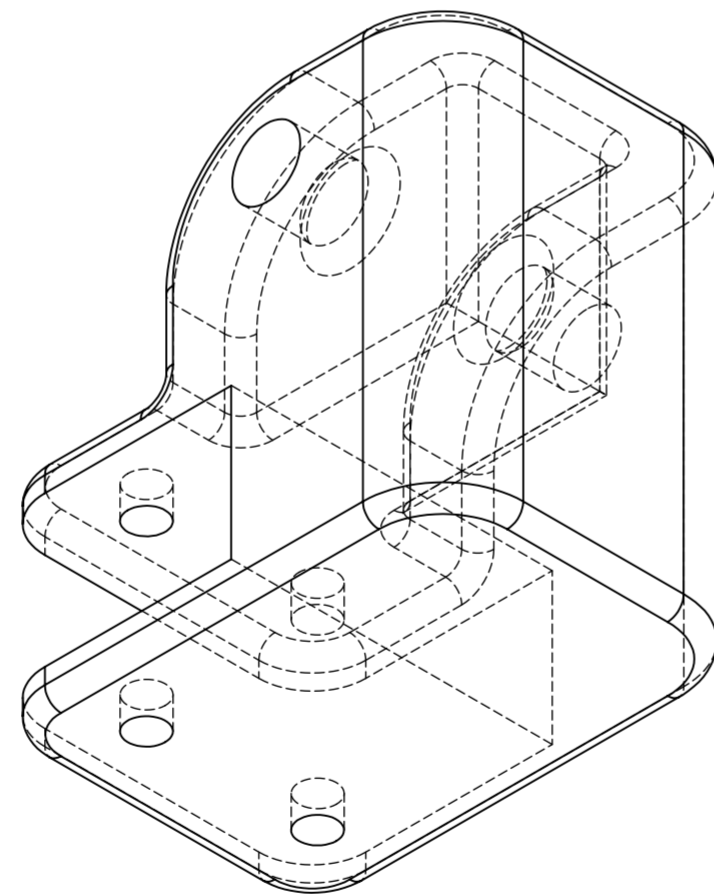
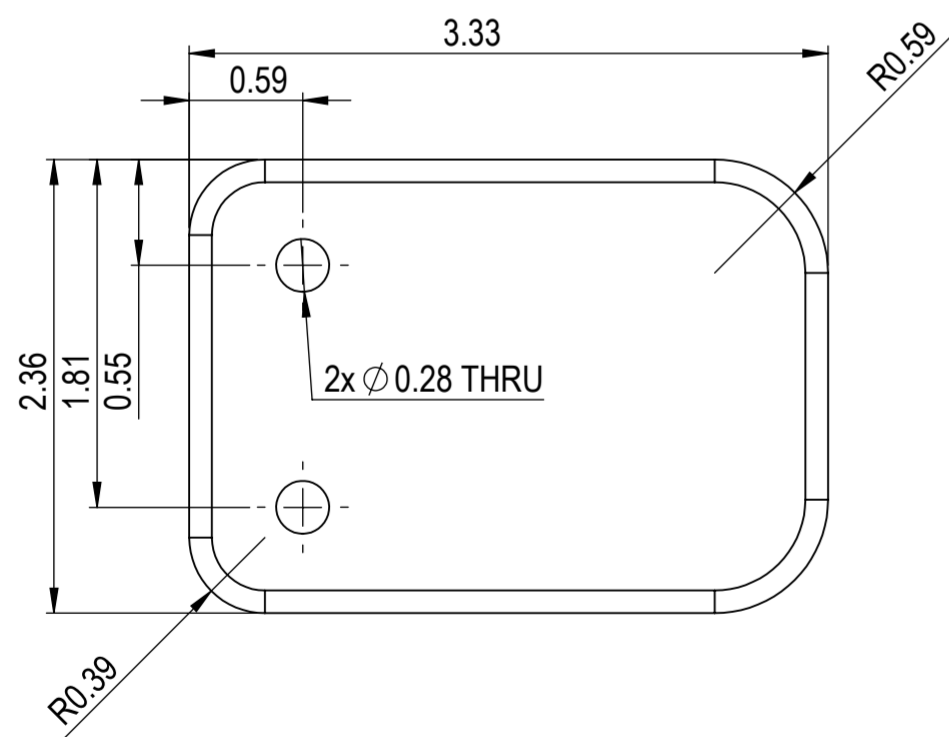
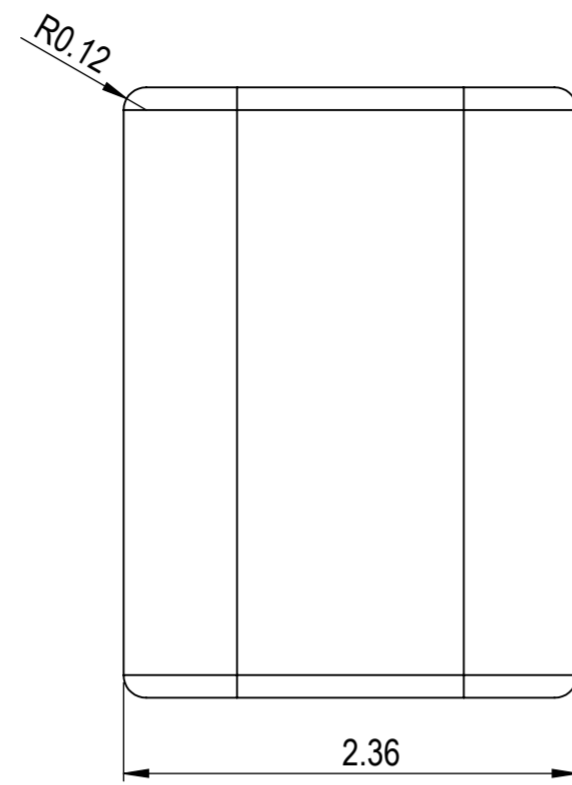
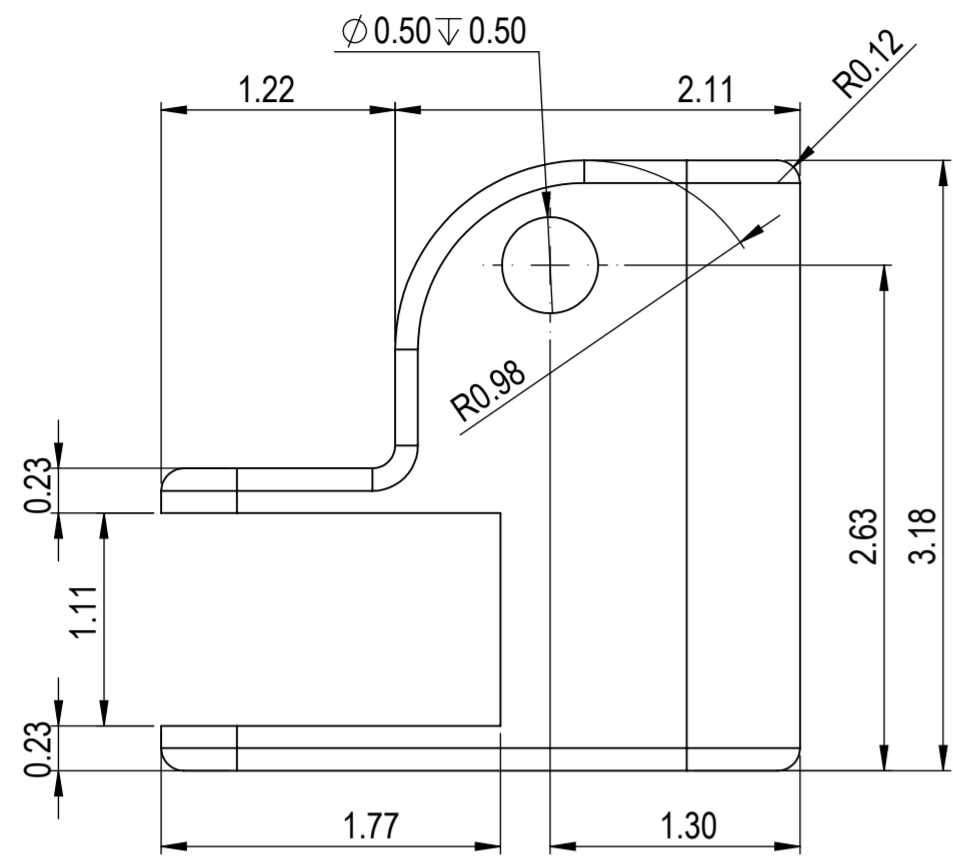
MATERIAL AND SURFACE TREATMENT
TOLERANCE UNLESS NOTED
LINEAR (+/-)
ANGLES (+/-)
RADII UNLESS NOTED

DESIGNER APPROVED	PREVIOUS PART NO.	SCALE:1:5	TITLE:
-------------------	-------------------	-----------	--------

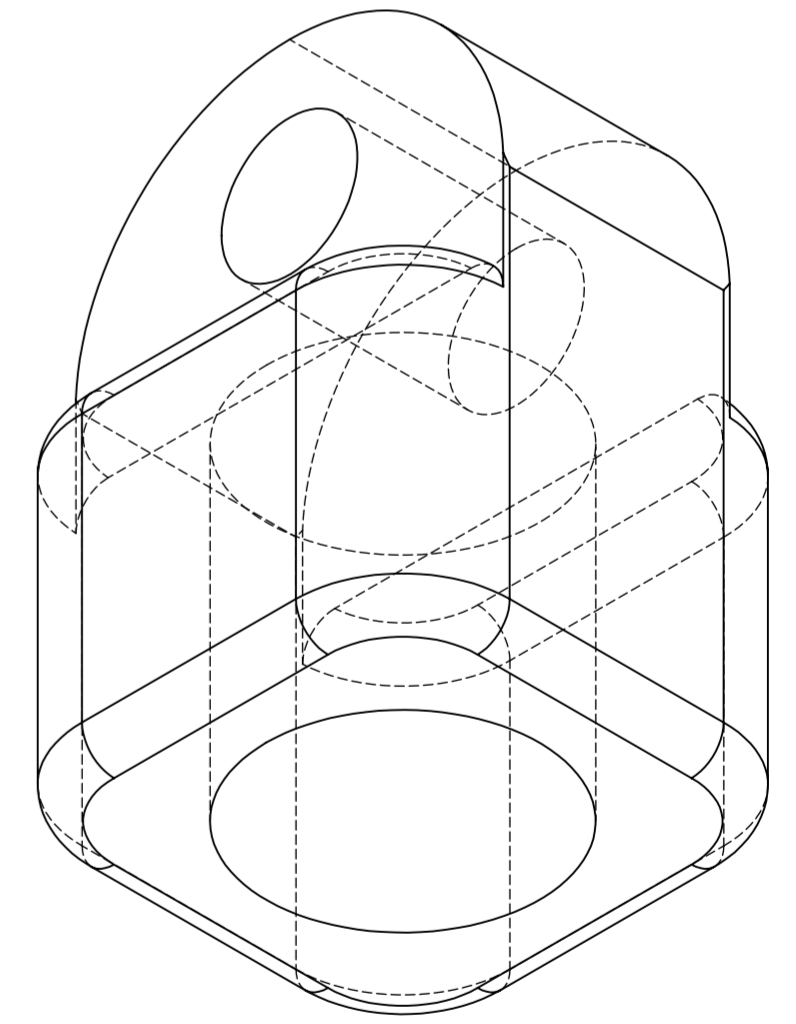
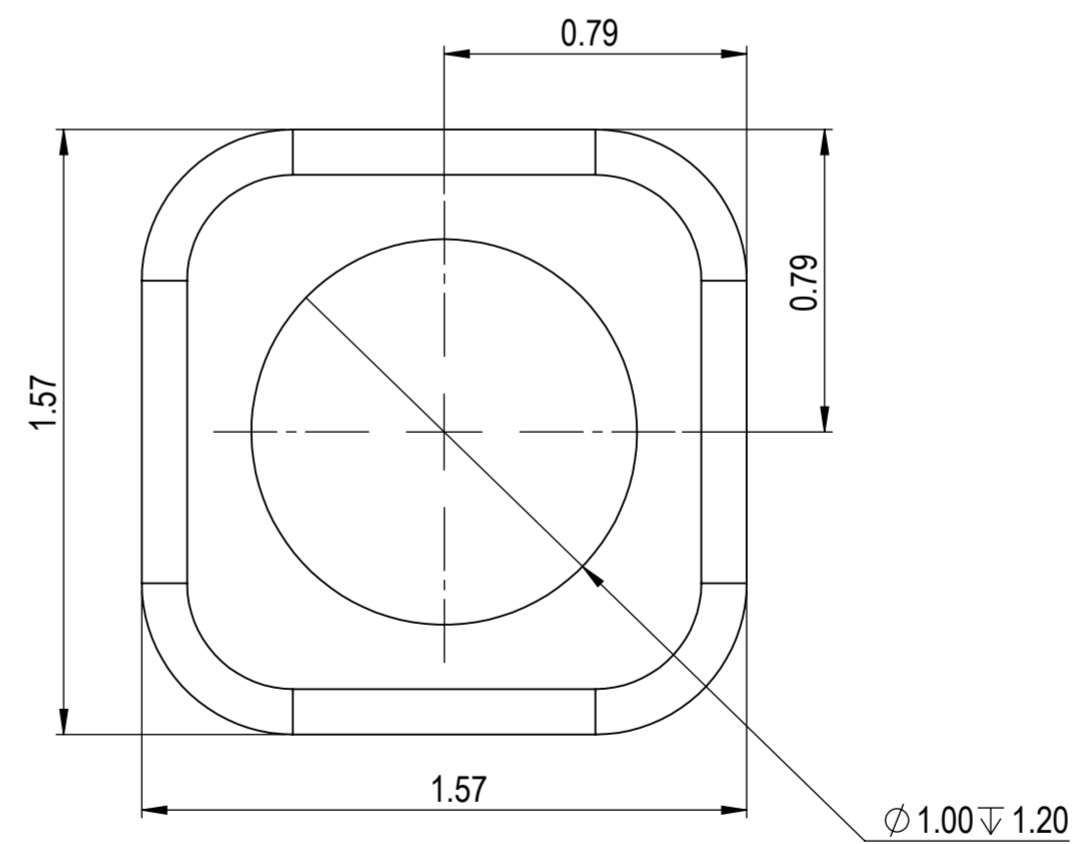
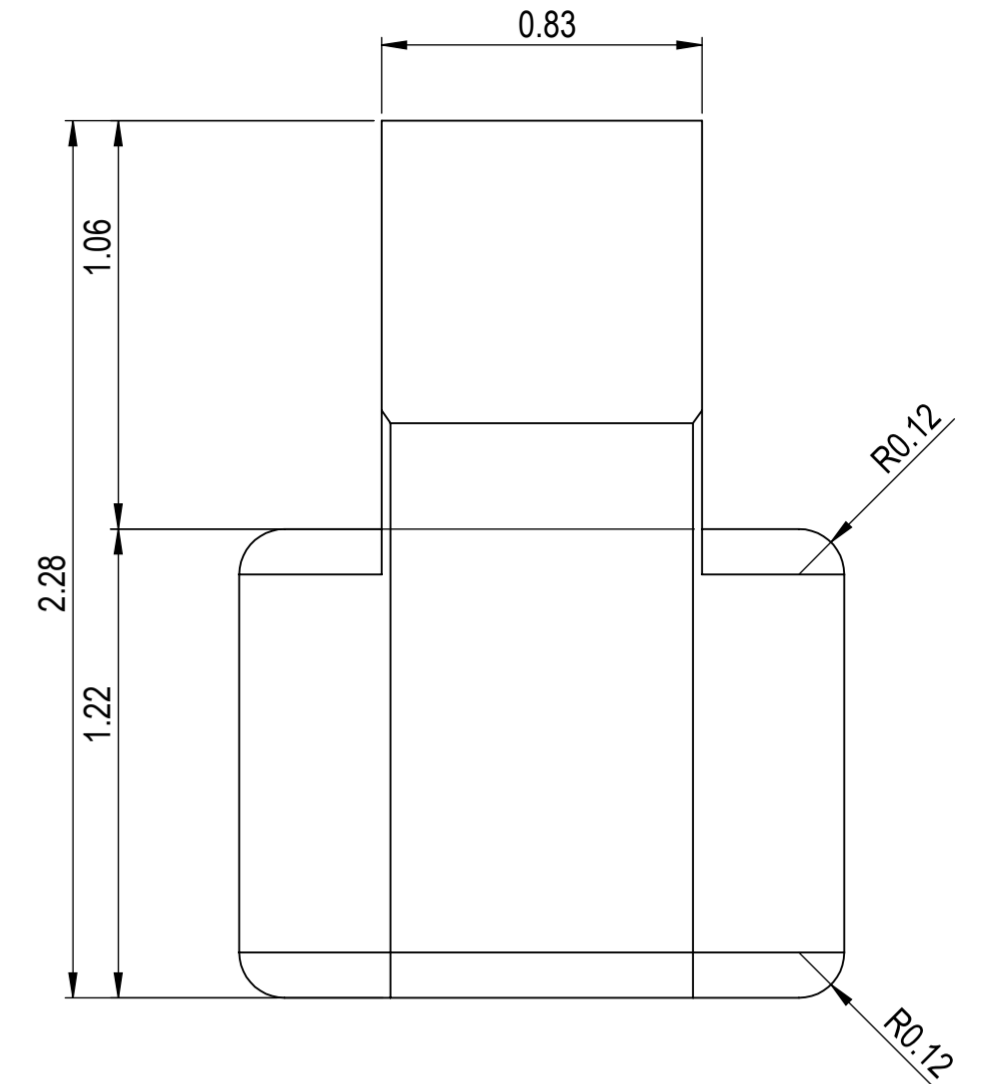
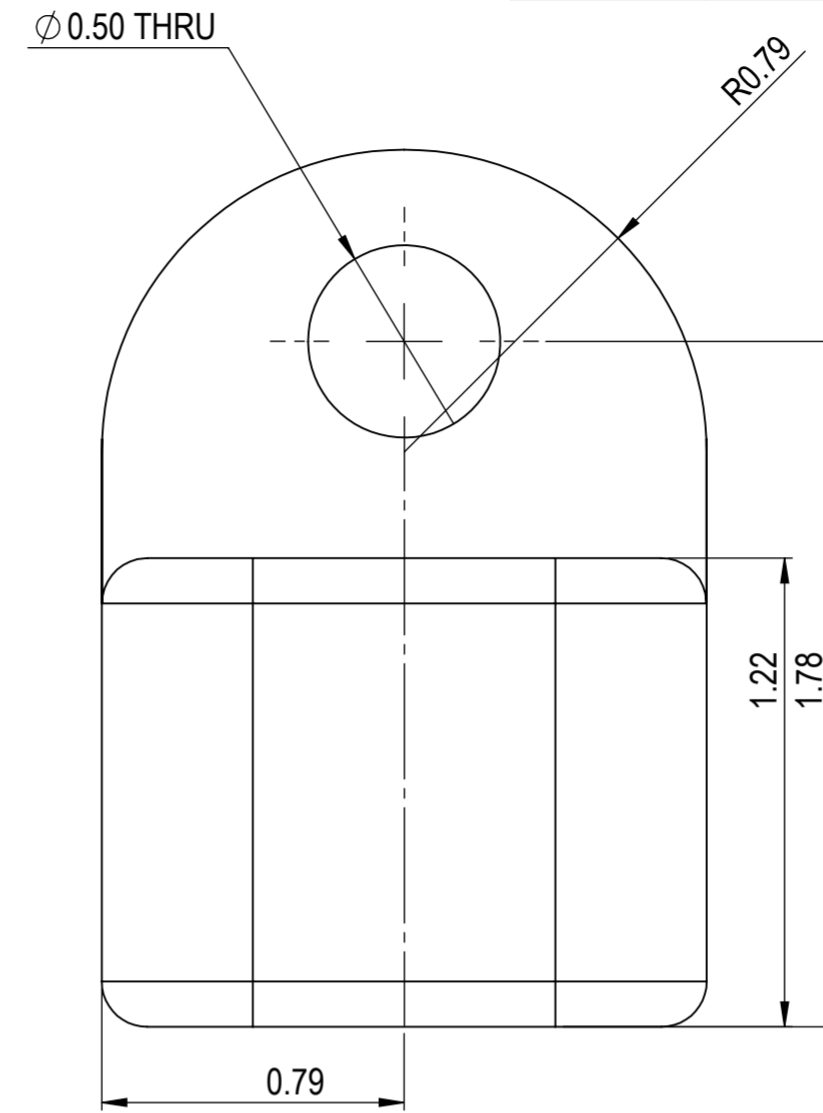
PART NUMBER.
EC NO.
DATE
makeup chair-PARTS



ITEM NO.	PART NUMBER	DESCRIPTION	QTY.
1	Support Hinges - (Backrest)	Polycarbonate	1



ITEM NO.	PART NUMBER	DESCRIPTION	QTY.
1	Support Tubing - (Backrest)	Polycarbonate	1



ENGINEERING CHANGE HISTORY					
TYP	DATE	EC NO.	TYP	DATE	EC NO.

SI METRIC
-----------

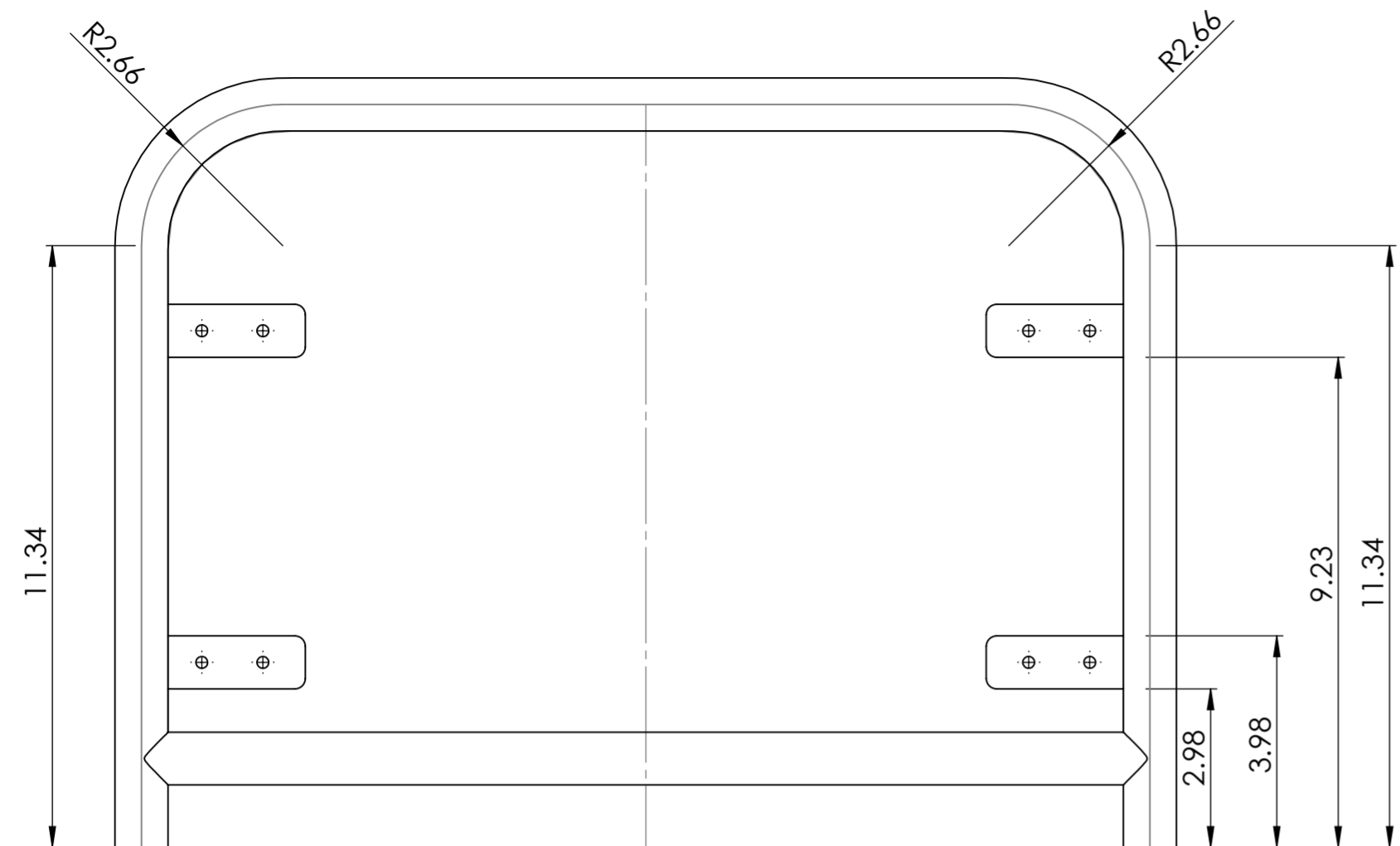
MATERIAL AND SURFACE TREATMENT
TOLERANCE UNLESS NOTED
LINEAR (+/-)
ANGLES (+/-)
RADII UNLESS NOTED

DESIGNER APPROVED
PREVIOUS PART NO.

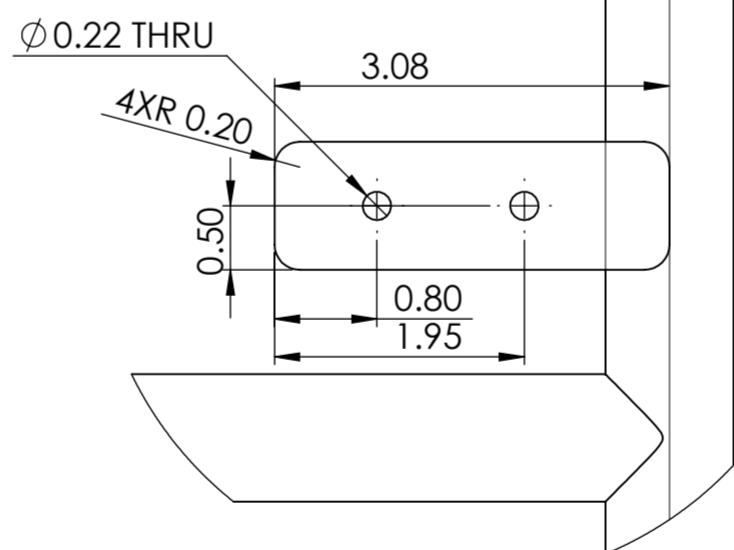
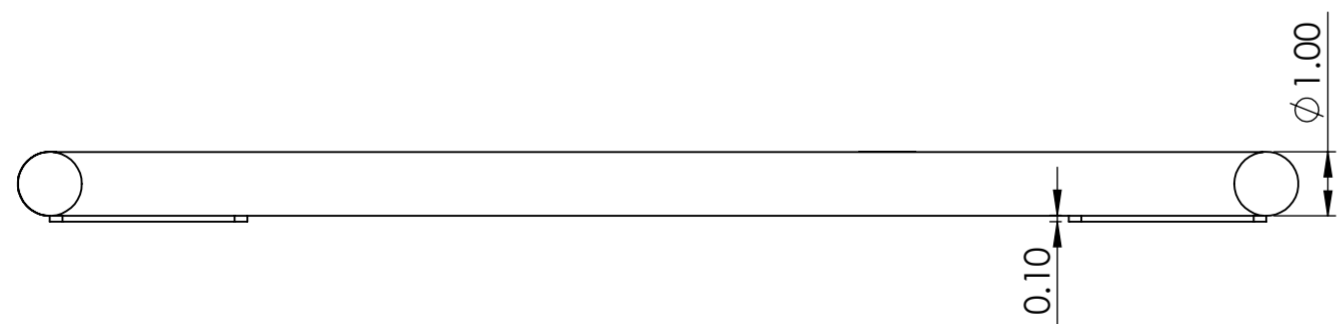
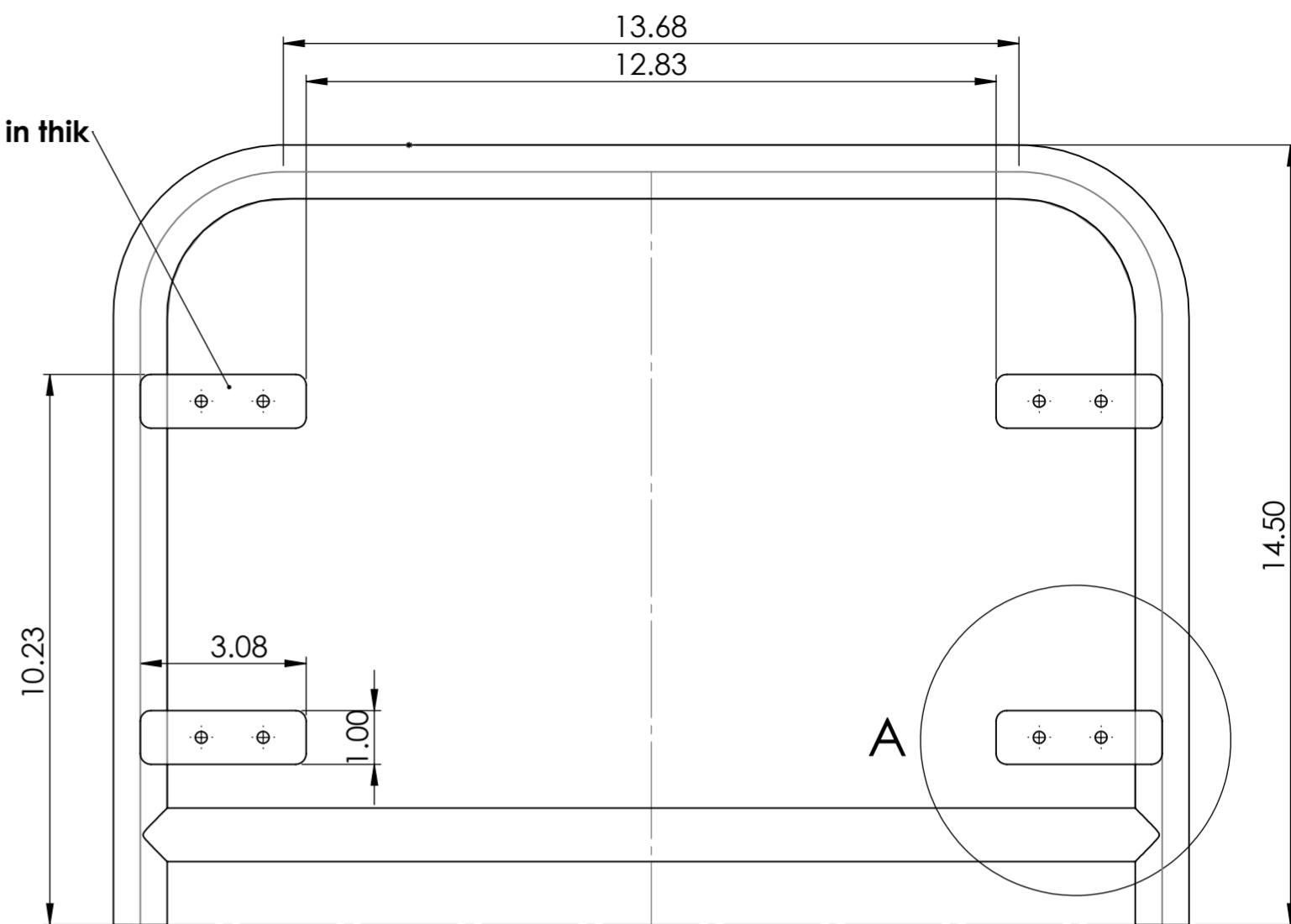
SCALE: 1:5
TITLE:

PART NUMBER	Polycarbonate with cushion
EC NO.	
DATE	
makeup chair-PARTS	

ITEM NO.	PART NUMBER	DESCRIPTION	QTY.
1	Bracket for backrest	Multipurpose 6061 Aluminum 90 Degree Angle	1

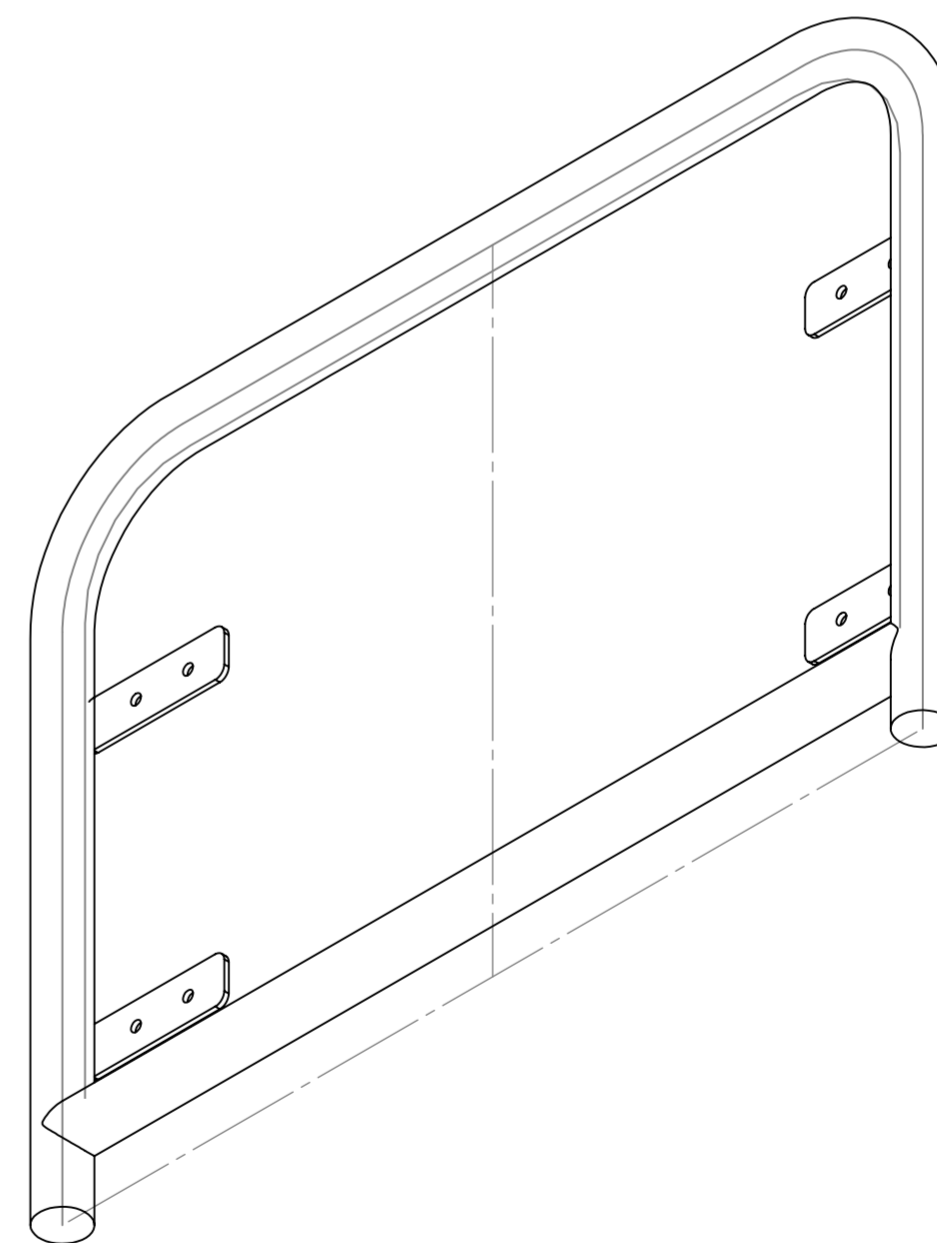


flute barre 0.1in thick



DETAIL A

SCALE 2 : 3



ENGINEERING CHANGE HISTORY					
TYP	DATE	EC NO.	TYP	DATE	EC NO.

SI METRIC

MATERIAL AND SURFACE TREATMENT	
TOLERANCE UNLESS NOTED	
LINEAR (+/-)	
ANGLES (+/-)	
RADII UNLESS NOTED	

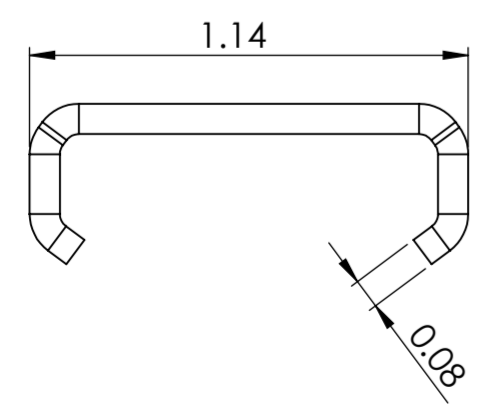
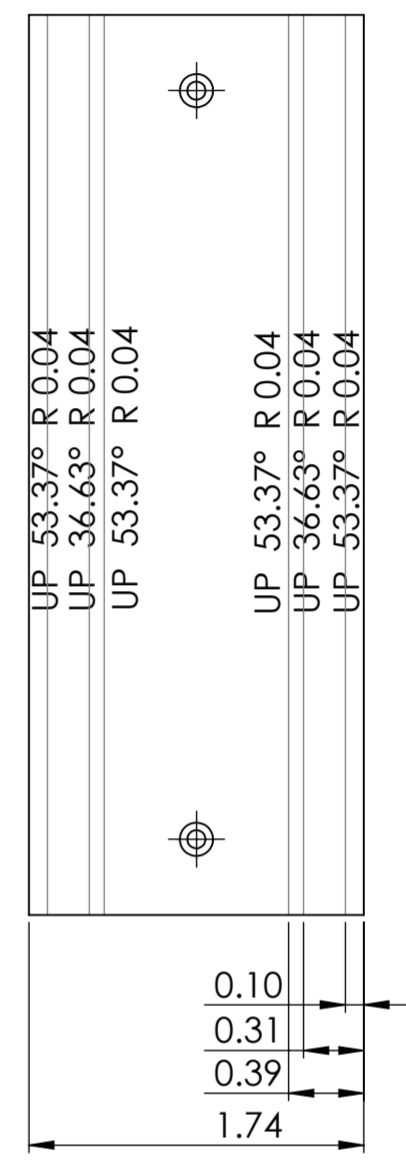
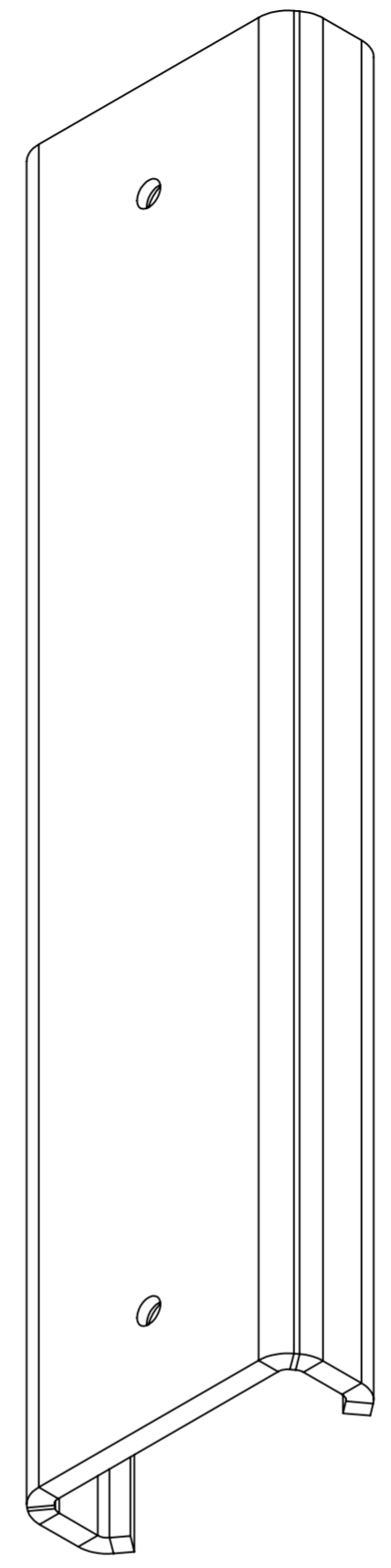
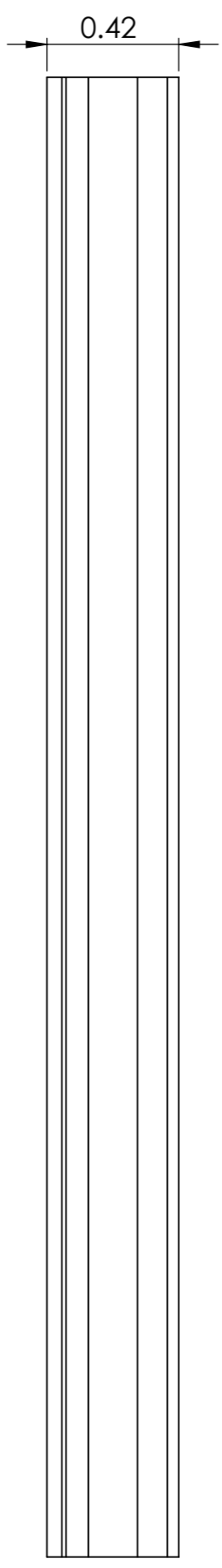
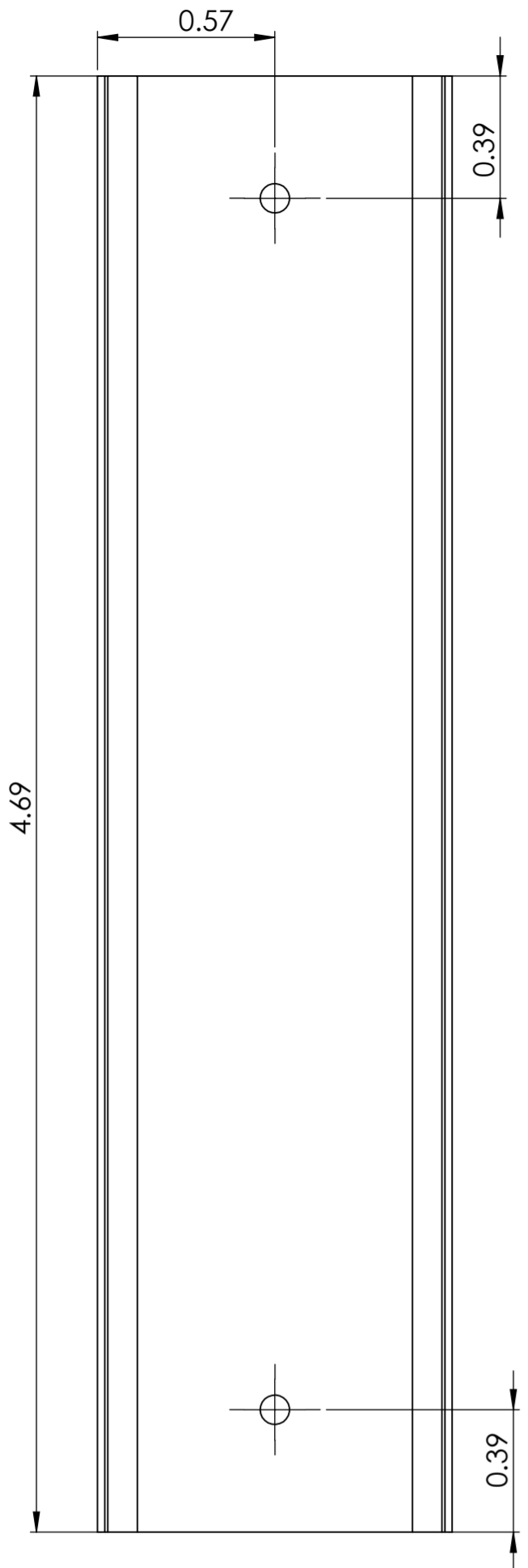
DESIGNER APPROVED	
PREVIOUS PART NO.	
SCALE: 1:5	

TITLE:

PART NUMBER	1057	DESCRIPTION	polycarbonate with cushion
EC NO.			
DATE			
makeup chair-PARTS			

12 11 10 9 8 7 6 5 4 3 2 1

H  
G  
F  
E  
D  
C  
B  
A



ENGINEERING CHANGE HISTORY					
TYP	DATE	EC NO.	TYP	DATE	EC NO.

SI METRIC

MATERIAL AND SURFACE TREATMENT  
 TOLERANCE UNLESS NOTED  
 LINEAR (+/-)  
 ANGLES (+/-)  
 RADII UNLESS NOTED

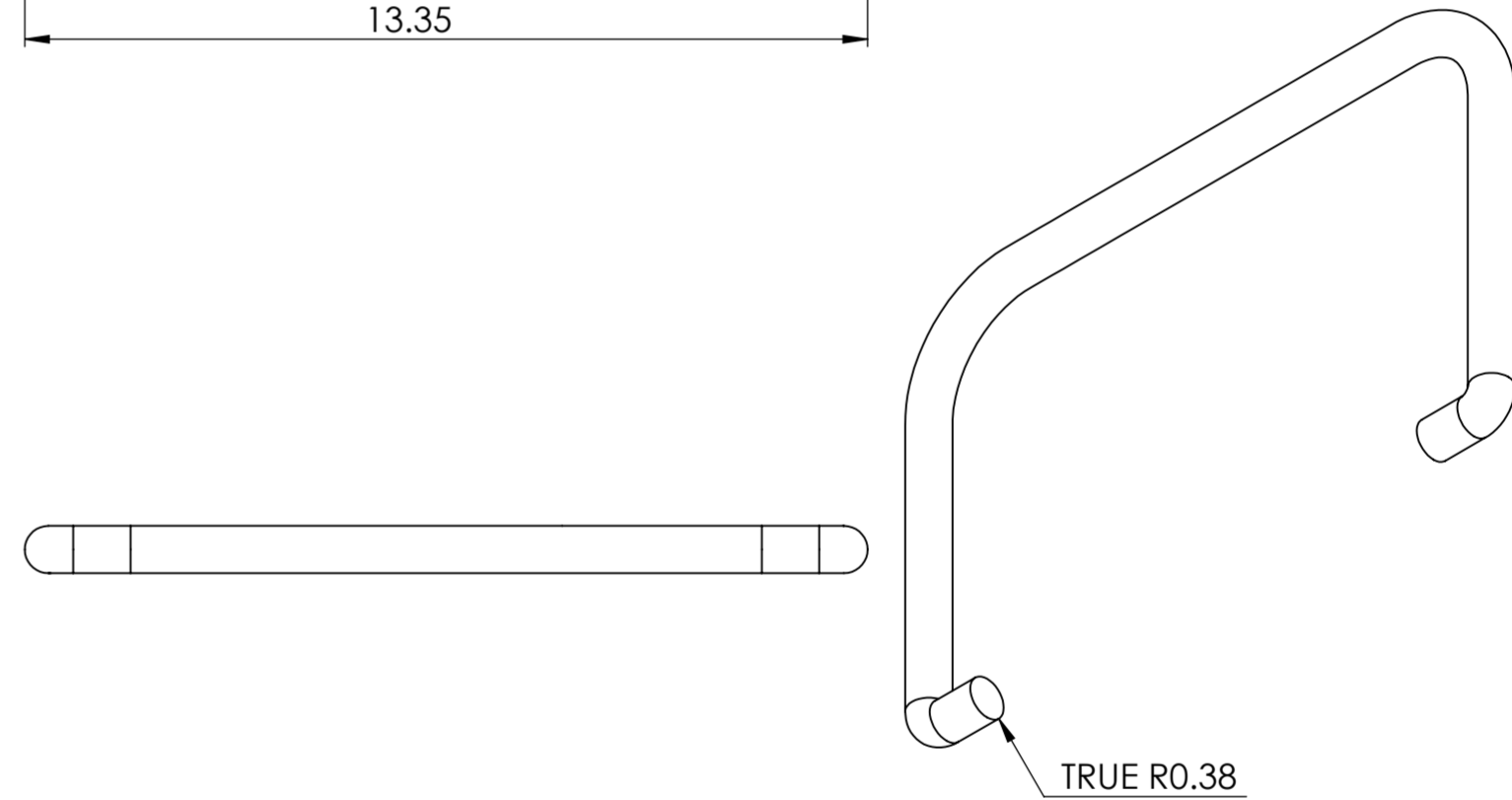
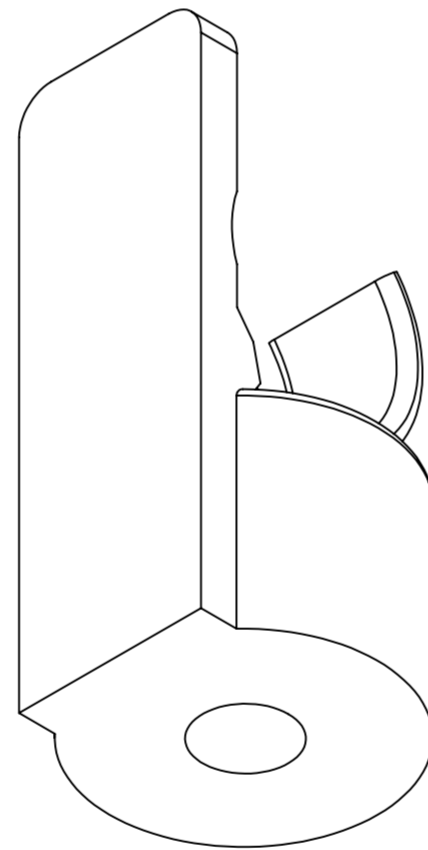
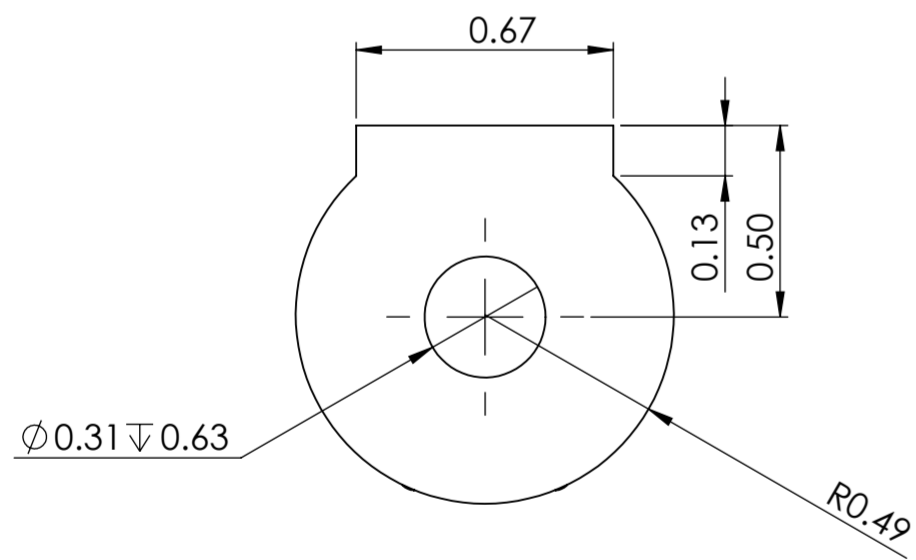
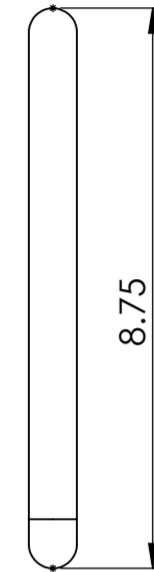
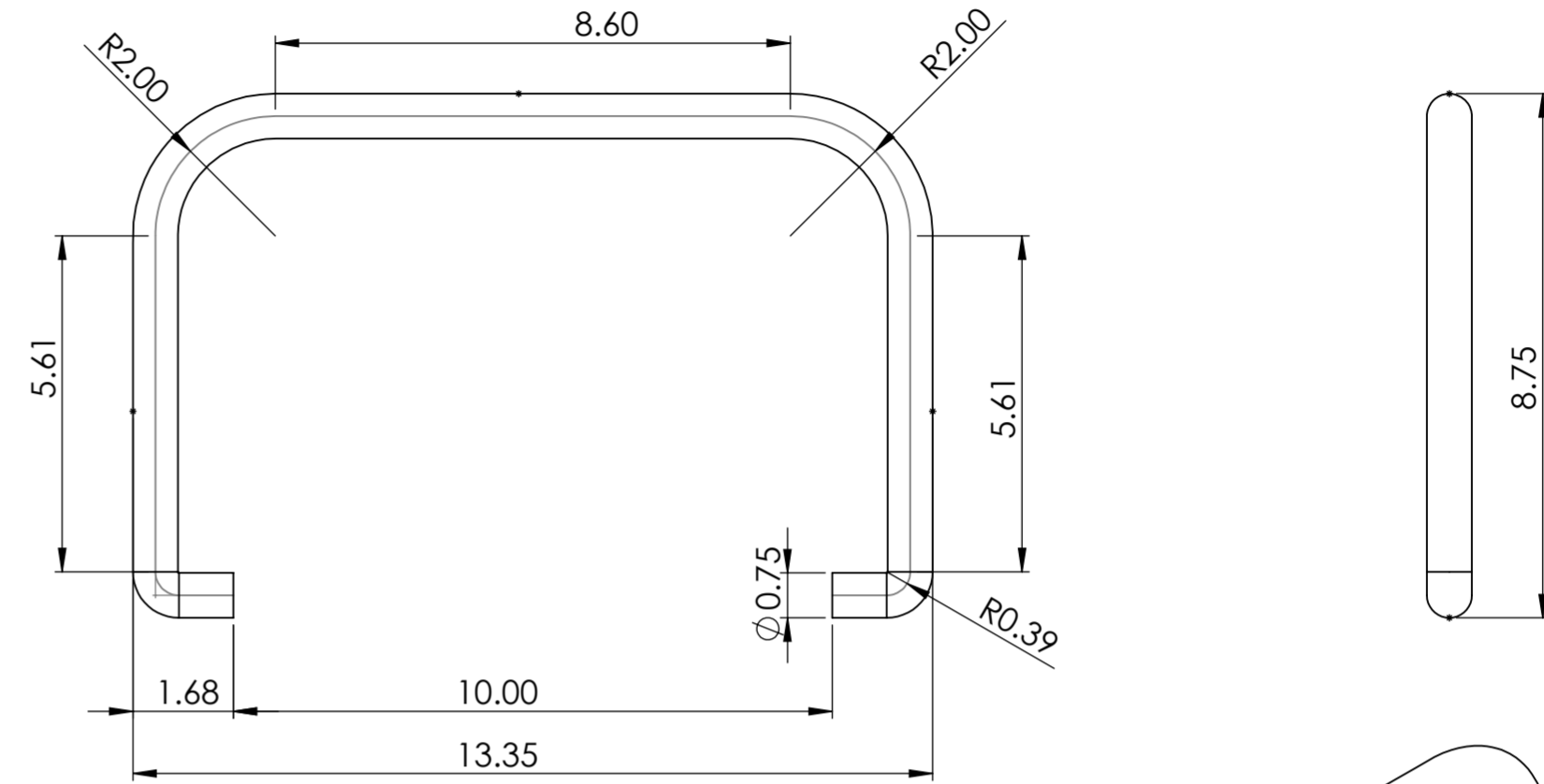
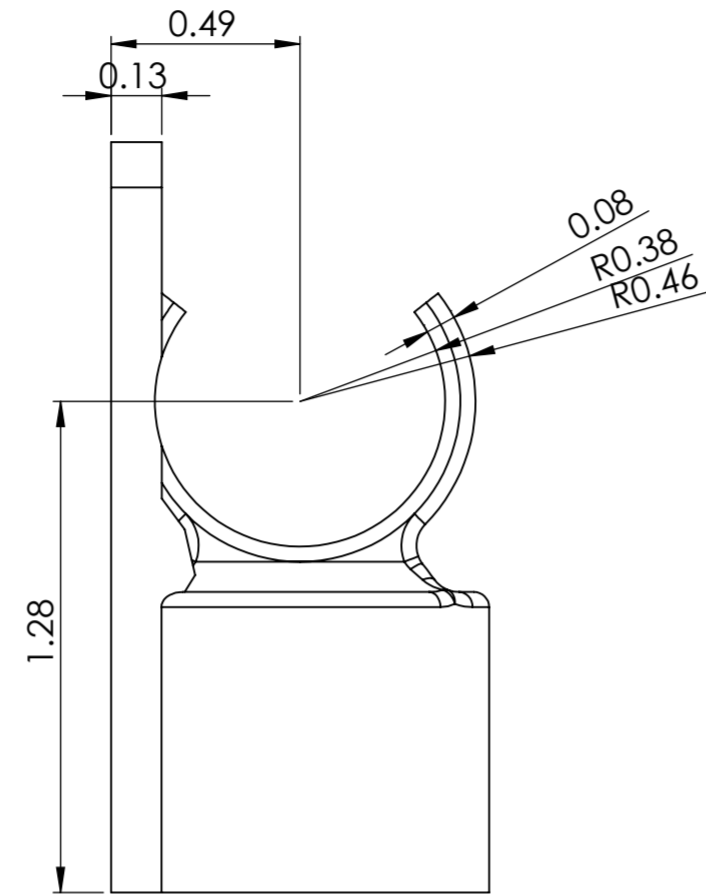
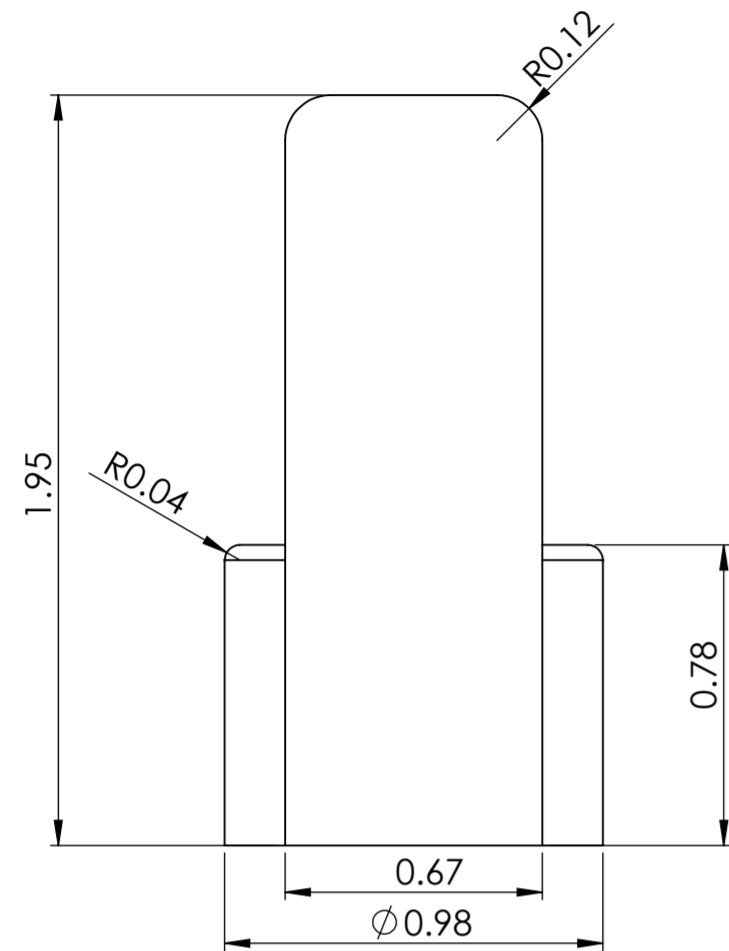
DESIGNER APPROVED  
 PREVIOUS PART NO.  
 SCALE: 1:5  
 TITLE:

PART NUMBER: Polycarbonate with cushion  
 EC NO.  
 DATE  
 makeup chair-PARTS

8 7 6 5 4 3 2 1

ITEM NO.	PART NUMBER	DESCRIPTION	QTY.
1	support tubes - (Armrests)	Polycarbonate	1

ITEM NO.	PART NUMBER	DESCRIPTION	QTY.
1	Armrests	Multipurpose 6061 Aluminum 90 Degree Angle	1



ENGINEERING CHANGE HISTORY					
TYP	DATE	EC NO.	TYP	DATE	EC NO.

SI METRIC
-----------

MATERIAL AND SURFACE TREATMENT
TOLERANCE UNLESS NOTED
LINEAR (+/-)
ANGLES (+/-)
RADII UNLESS NOTED

DESIGNER APPROVED	PREVIOUS PART NO.	SCALE: 1:5	TITLE:
-------------------	-------------------	------------	--------

PART NUMBER.
EC NO.
DATE
makeup chair-PARTS