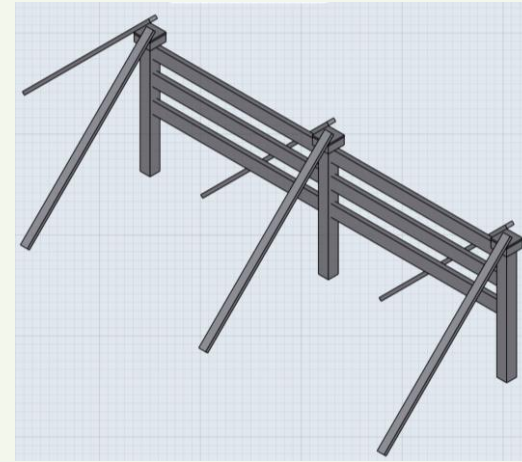
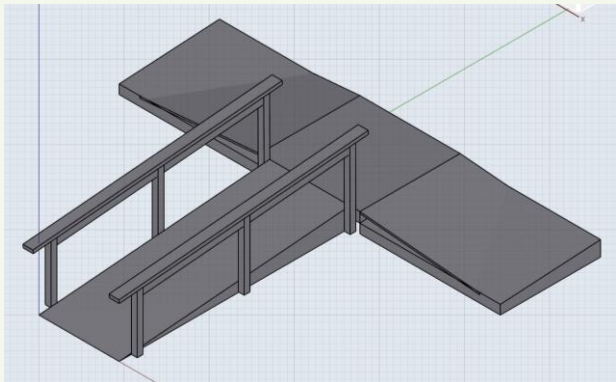


# Handicap Ramp to Front Door and Fence at on the Edge of Paring Lot

The purpose of this project was to build a fence on one side of the parking lot and a handicap entrance ramp for the front entrance of the Son Care Foundation in San Luis Obispo, California. This project aims to help limit the edge of the parking lot so that cars are not parked to far into the neighboring field and to make the front office more accessible to customers. The parking lot for The Son Care Foundation is located next to a field that is used for a multitude of tasks. With nothing to separate the two areas from each, the cars were parking in the field and getting in the way of the operations going on in the field. Constructing a fence created a barrier between the two zones and kept the operations from interfering with each other. In addition to being a day care for dogs, the resort also helps pair disabled individuals with service dogs. The front entrance of the main office was not very accessible to these individuals. Building a ramp in place of the awkward front porch made the entrance much more inviting and usable for any who wished to visit the resort.

**Key Words:** Non-Profit, Accessibility, Carpentry, Design Build, ADA



Brendan Mulholland  
California Polytechnic State University

## Idea:

Design and build an accessibility ramp for the office entrance, and a fence to mark the perimeter of the parking lot.

## Project Information:

This project is located on the south side of San Luis Obispo City just East of the airport.

## Deliverables:

- 1) ADA compliant access ramp
- 2) Parking lot perimeter fence