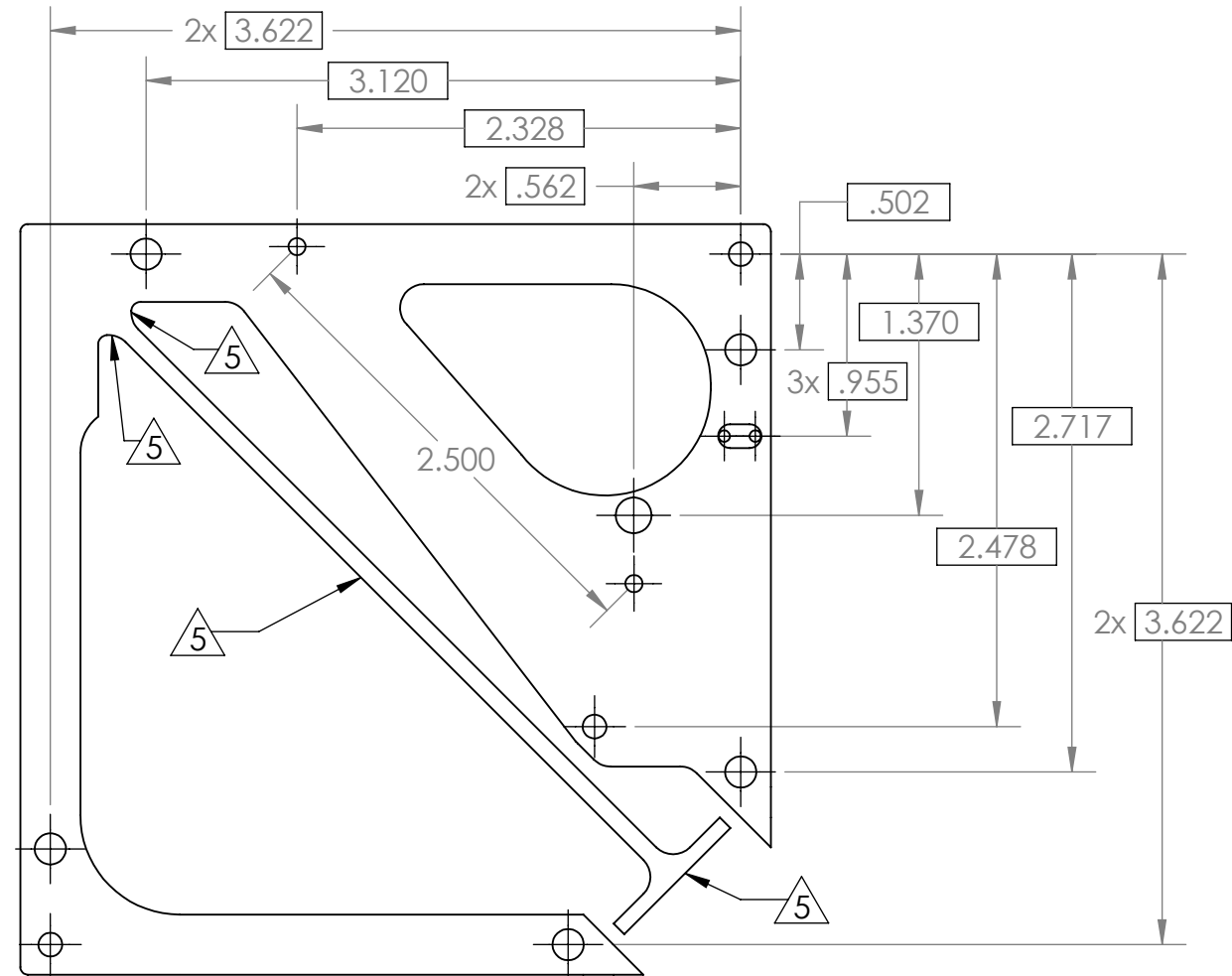
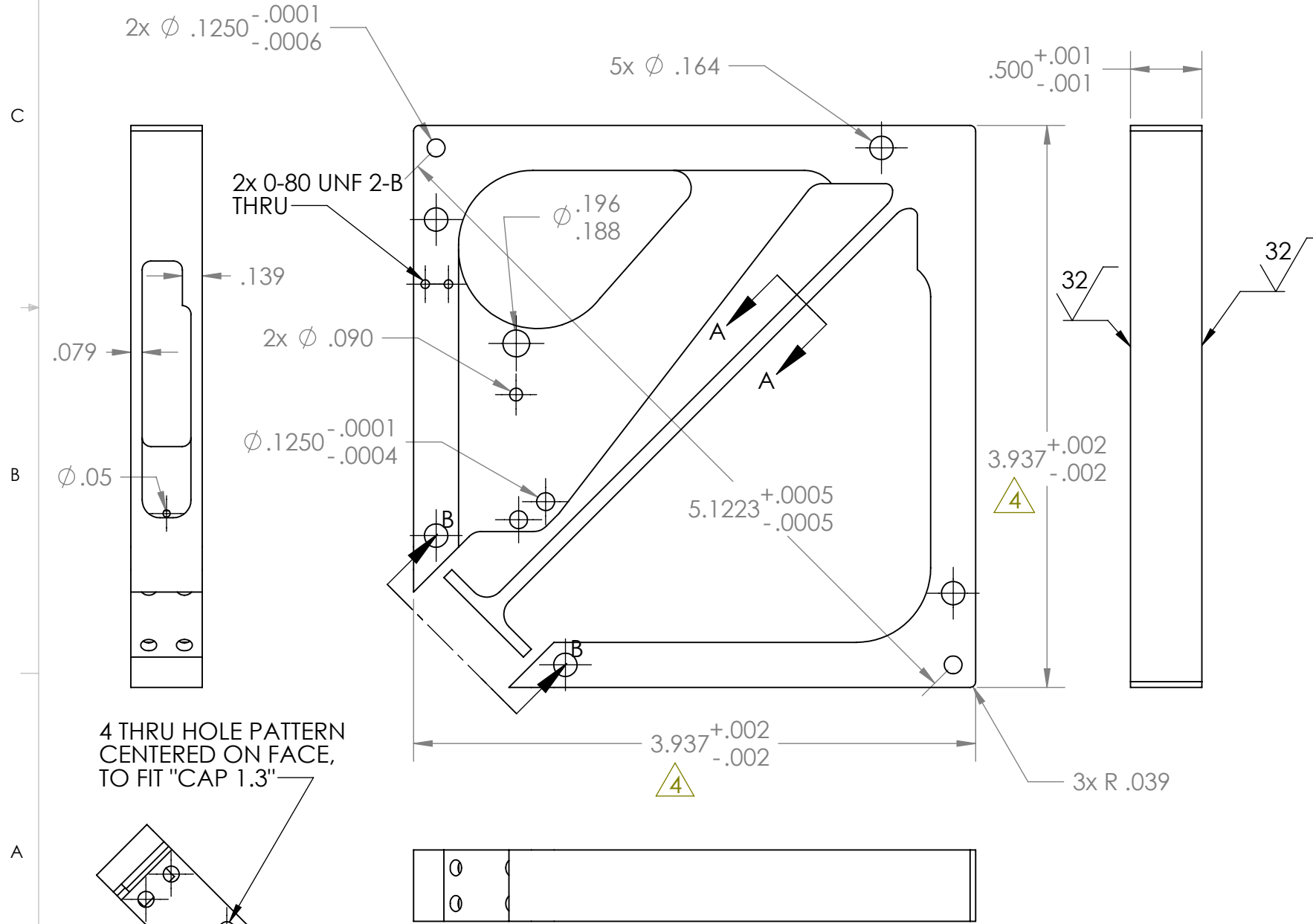
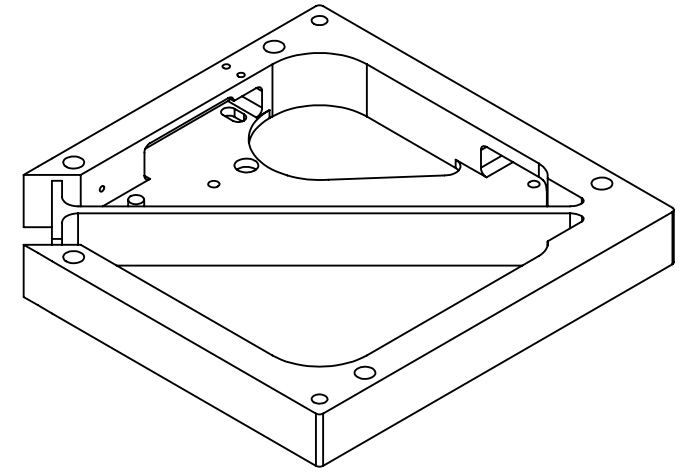
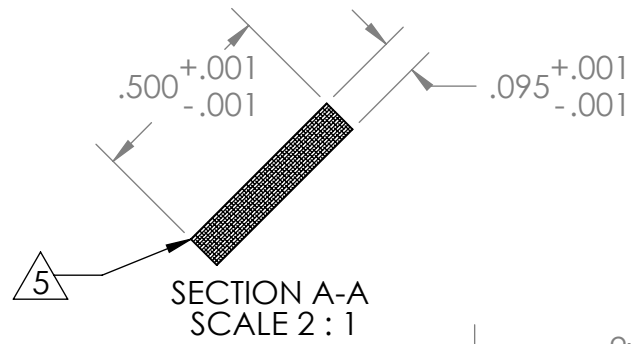
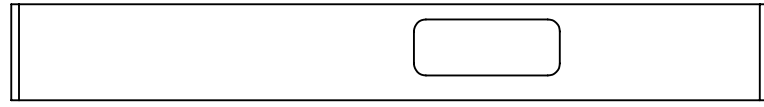
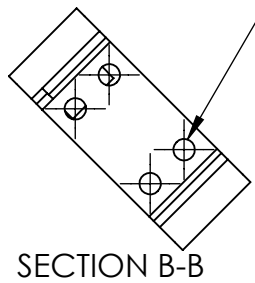


- NOTE:
1. ALL UNTOLERANCED FEATURES ARE $\sqrt{.010}$ FROM THE MODEL.
 2. TYPE III HARD ANODIZED, BLACK, .002 TOTAL, (.001 BUILDUP FROM SURFACE).
 3. CHEM FILM IN .125 THRU HOLES AND THREADS.
 4. OD FINISH SIZE CAN BE MACHINED LATER AS AN ASSEMBLY.
 5. LEAVE ALL EDGES SHARP ON FLEXIBLE BEAM SECTION.



4 THRU HOLE PATTERN CENTERED ON FACE, TO FIT "CAP 1.3"



UNLESS OTHERWISE SPECIFIED:		NAME	DATE
DIMENSIONS ARE IN INCHES DIMENSIONS APPLY AFTER SURFACE TREATMENT		DRAWN John Brown	9/10/2010
TOLERANCES: ANGULAR: MACH $\pm .5$ TWO PLACE DECIMAL $\pm .010$ THREE PLACE DECIMAL $\pm .004$ BREAK SHARP EDGES .005-.010		CHECKED John Brown	12/16/2010
INTERPRET GEOMETRIC TOLERANCING PER:		ENG APPR.	
MATERIAL Al 6061-T6		MFG APPR.	
FINISH 64		Q.A.	
PROPRIETARY AND CONFIDENTIAL THE INFORMATION CONTAINED IN THIS DRAWING IS THE SOLE PROPERTY OF John Brown.		COMMENTS: SEE NOTES	

ITAR CONTROLLED DOCUMENT

TITLE:
BEAM, CENTER

SIZE B	DWG. NO. BEAM, CENTER	REV A
------------------	--------------------------	-----------------

SCALE: 1:1 WEIGHT: SHEET 1 OF 1