

A New Multiphase Multi-Interleaving Buck Converter With Bypass LC

Taufik Taufik, Randyco Prasetyo, Dale Dolan
California Polytechnic State University
San Luis Obispo, California, USA

Dodi Garinto
Indonesian Power Electronics Center

Abstract- As the number of transistors in microprocessors increases, their power demand increases accordingly. This poses design challenges for their power supply module called VRM (Voltage Regulator Module) especially when operated at sub voltage range. This paper presents the design of a new multiphase multi-interleaving topology that addresses these challenges. A lab scaled hardware prototype of the new topology shows improved load regulation, output voltage ripple and dynamic response time compared to a commercially available power supply module.

I. INTRODUCTION

A voltage regulator module (VRM) is a dc-dc converter that provides the necessary power into a microprocessor. This converter is a step-down regulator and can be either soldered on to the motherboard or it could be provided by a module attached to the board. Design specifications of the VRM converter are typically determined by microprocessor's manufacturers. For example, Intel has established design guidelines for VRM called Intel VRM11.0. Today's VRMs are based on a topology called the multiphase synchronous buck converter as shown in Figure 1 [1,2,3,4,5].

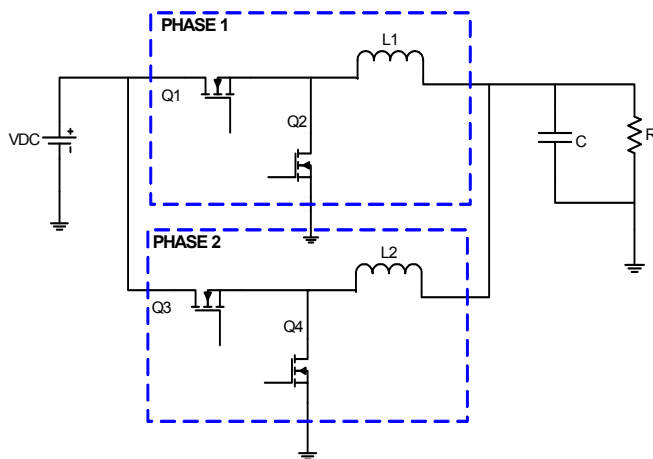


Fig 1. Multiphase synchronous buck topology.

One important operating parameter in the multiphase buck converter topology is called the duty cycle D . For buck converter, the ideal duty cycle when operated in continuous conduction mode (continuous inductor current) is the ratio of the output voltage and input voltage. The basic multiphase buck converter worked very well in earlier VRMs where 5V was required at the input. However, as microprocessor

technologies advances, new challenges in VRM design have arisen [6]. For example, today's microprocessors for desktop computers, workstations, and low-end servers, require VRMs to operate with 12V input. Laptops required VRMs to directly step down the battery charger voltage of 16-24V down to the microprocessor voltage of 1.5V. Future microprocessors are also expected to supply voltage to decrease below 1V in order to further reduce power dissipation [6]. This means that for these applications, the VRM and hence the multiphase buck converter will have to operate at very small duty cycles. The small duty cycle further translates into an increase in conduction loss of the multiphase buck converter which gets worsen as the required output power is increased.

Another challenge comes in the form of transient speed. Since further microprocessors call for fast operation, hence the VRM consequently is required to keep up with the speed. For dc-dc converters, this means the switching frequency has to be increased. However, when the switching frequency is increased, then more switching loss will occur at the top MOSFET as well as an increase in MOSFET's gate drive and body diode losses. Consequently, efficiency will drop to less than 80% when switching frequency is increased into multi-MHz [3].

Yet another challenge when designing today's VRMs would be the tradeoff between efficiency and transient response of the converter. In order to increase inductor current slew rate, a small inductance is required, but the small inductance also increases peak to peak current ripple; thus reducing the overall efficiency of the converter itself. This is true since an increase in the peak to peak current ripple translates to an increase in the top switch turn-off loss.

Researchers have extensively been investigating ways to address issues with powering future microprocessors. Some addresses the issue on efficiency such as [7] and [8], while others focus more on improving dynamic response such as [9] and [10]. In this paper, a proposed new multiphase buck topology that addresses output performance of the converter while maintaining high efficiency, low cost and board space. In particular, the proposed topology incorporates a cell-based structure of the converter to allow multi-interleaving of the multiphase converter for better heat dissipation. In addition, the new topology utilizes bypass storage components between its input and output to help improve regulations and ripple performance. A hardware prototype was built and tests were conducted to assess its performance and compared with a commercially available VRM.

II. THE PROPOSED MULTIPHASE BUCK CONVERTER

Figure 2 shows the proposed topology of multiphase buck converter. There are two major modifications from the basic multiphase. First, the topology comprises of cells each consisting of two buck converters. To operate the converter, a minimum of two cells will be required. Doing so will enable us to interleave individual bucks with proper sequencing of their control signals. For example, in the basic 4 phase multiphase buck converter, the control signal sequence is Phase 1, 3, 2, 4. In the proposed topology, the sequence is changed to Phase 1, 2, 3, 4 hence allowing the interleaving of buck converters to occur. This results in improved thermal distribution and hence less heat-sinking requirement and better efficiency.

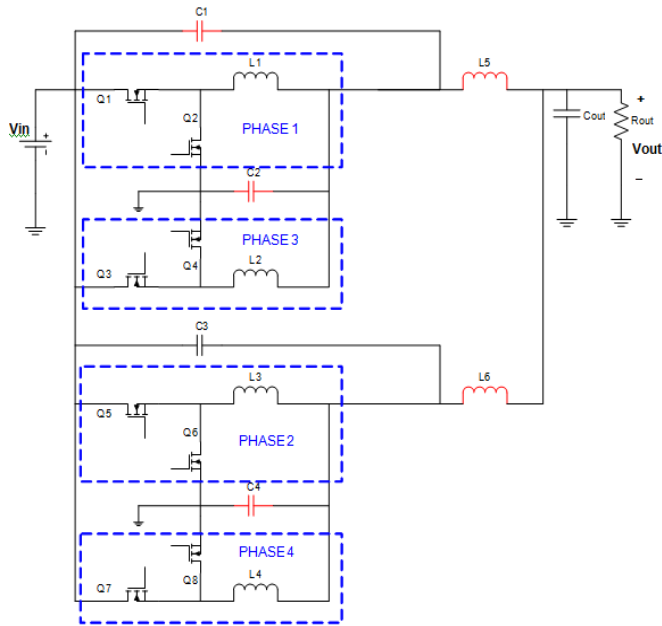


Fig. 2. Proposed multiphase interleaved buck topology

Secondly, the proposed multiphase synchronous buck topology incorporates additional storage components that serve different purposes. For example, the additional output inductors (L_5 , L_6) are placed to minimize output current ripple useful in reducing rms loss at the output capacitor (C_{out}) or from the copper loss of the inductors themselves, including from the main inductors (L_1 , L_2 , L_3 , L_4). However, these inductors will consequently slow down the transient response which may be overcome by increasing the switching frequency of the converter, and by adding the input-output bypass capacitor in each cell (C_1 and C_3) for energy support required by the load during transient.

Figure 3 shows inductor current in each time segment from t_0 to t_8 . i_{L1} corresponds to inductor current flowing through inductor L_1 , i_{L2} through inductor L_2 , and so on, while i_{out} is the output current. The linear ramp-up of each inductor current signifies the charging of inductor, while linear ramp-down depicts the discharging of inductor. One advantage of multiphase is exhibited on the output current. Due to the ripple cancellation effect, the output current possesses $1/4$ of the peak to peak ripple and 4 times the

frequency of main inductor current. These provide the benefits of reducing rms loss, fast transient time, and small output filtering requirement.

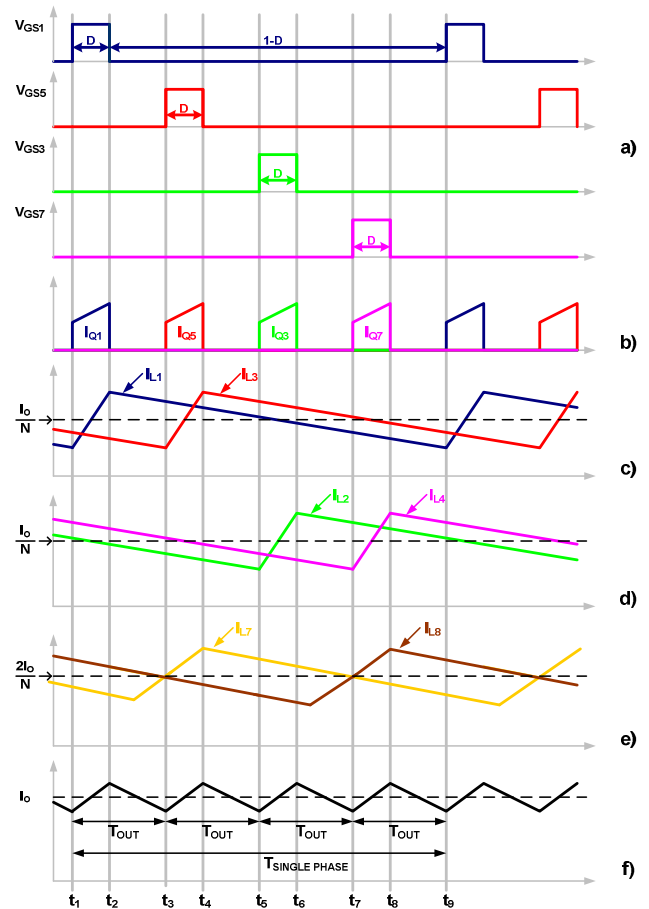


Fig. 3. Key waveforms of proposed Multiphase Multi-Interleaving Buck Converter: (a) Upper FETs Gate Drive Signals, (b) Composite of Upper FETs current, (c) Inductor Current of L_2 and L_4 , (d) Inductor Current of L_3 and L_4 , (e) Output Current

Figure 4 illustrates circuit operation during different time intervals. Referring to times t_0 to t_8 as shown in Figure 3, during interval t_0 to t_1 , Q_1 turns on. As illustrated in Figure 4(a), current flows from V_{in} to output through Q_1 , L_1 and L_5 . In this case the current through L_1 and L_5 increases linearly since the input and output voltages are both fixed at V_{in} and V_{out} respectively. At the same time, energy stored in C_1 is being discharged through Q_1 and L_1 , while the energy stored in C_2 is also being discharged through L_5 . Meanwhile, L_2 is also discharged through L_5 .

At time t_1 switch Q_1 is turned off, and switch Q_2 is turned on as illustrated in Figure 4(b). During t_1 to t_2 , the energy stored in L_1 together with energy left in L_2 is now being used to charge C_2 . Energy stored previously in L_5 flows to output. The energy in C_1 would be charged by the input during this time.

The next transition from t_2 to t_3 is depicted in Figure 4(c). Switch Q_5 is turned on, and the same sequence of energy flow occurs as the one described in the first phase (from t_0 to t_2).

III. HARDWARE PROTOTYPE AND TEST RESULTS

To test the actual performance of the proposed topology, a hardware prototype was designed and built with the design requirements shown in Table I.

TABLE I
DESIGN REQUIREMENTS FOR THE CONVERTER

Parameter	Requirements
Nominal Input Voltage	12 V
Nominal Output Voltage	1 V
Maximum output current	40 A
Inductor ripple current	10 % of Maximum Phase Current
Output Voltage Ripple	< 15 mV _{D-P}
Switching Frequency	500 kHz per phase
Load Regulation	< 2 %
Line Regulation	< 5 %
Efficiency	> 80 % at Full Load

Based on these design requirements, each component in the proposed was selected. In addition, loss analysis was also performed over load variations. Table II summarizes components that contribute to major losses in the proposed multiphase buck topology calculated at full load condition.

TABLE II
POWER LOSS ON EACH DEVICE AT 40A LOAD CURRENT

Components	Power Loss (W)
Input Capacitor	0.222
Top MOSFET	1.164
Bottom MOSFET	3.412
Main Inductor	1.252
Auxiliary Inductor	0.272

Figure 5 shows the final hardware prototype of a 4 phase version of the proposed topology. Each phase is running at 500 kHz switching frequency which makes both input and output components to have frequency component of $4 \times 500 \text{ kHz} = 2 \text{ MHz}$. The prototype was done on a multi-layer pcb, approximately 2.5 in. x 2.5 in. The top layer was dedicated for all the controller chips while the bottom layer was used specifically for the power components (inductors, MOSFETs). Laboratory tests were then conducted on the prototype to assess its performance on several standard dc-dc operating parameters. Results were then compared to those obtained from a commercially available VRM.

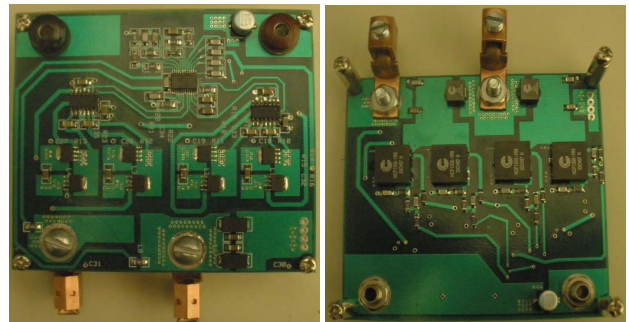


Fig. 5. Hardware prototype of the proposed converter (a) top layer (b) bottom layer

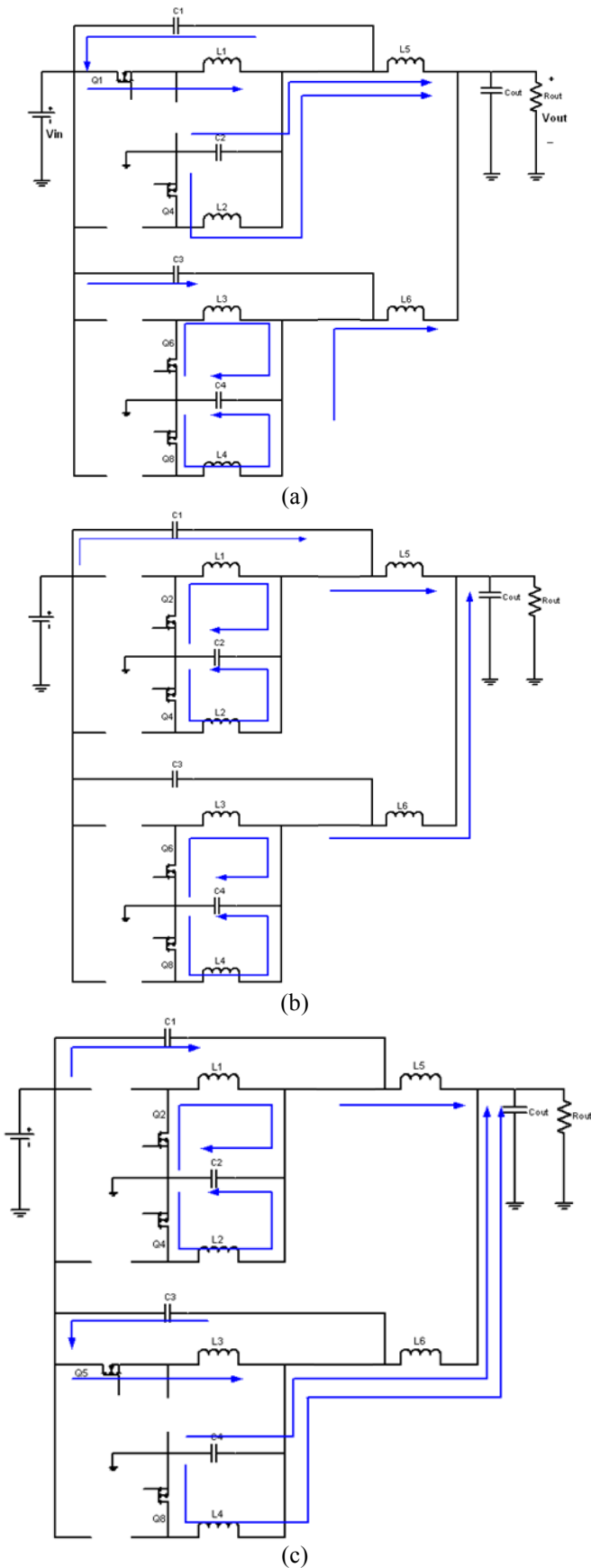


Fig. 4. Energy flow during time (a) $t_0 - t_1$, (b) $t_1 - t_2$, and (c) $t_2 - t_3$

First, the output voltage ripple was observed to be approximately 10.8mV at full load, see Figure 6. This peak to peak ripple is considerably less compared to that of the commercially available VRMs (typically 40-50mV). However, the output voltage of the proposed converter appears to have so much high frequency noise on top its actual peak to peak ripple. This may be explained by the fact that the frequency component of the output voltage is relatively high at 2 MHz (4 x 500 kHz). Hence, a better layout and/or filtering will be necessary to suppress this high frequency noise.

Next, load transient tests were performed to see how fast the proposed converter recovers upon a step change in the load. Figure 7 shows both step up and step down responses of the converter in terms of its output voltage. The step up and step down responses were measured to be 136 us and 160 us respectively. This is comparable to the 150 us step responses measured in the commercially available VRM.

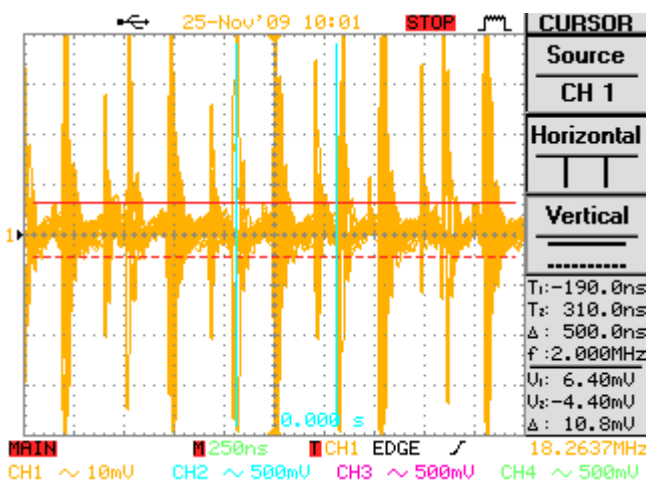


Fig. 6. Output voltage ripple at full load

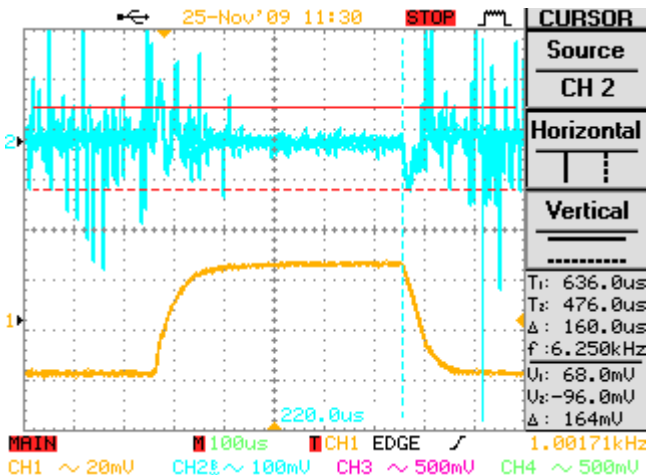


Fig. 7. Step changes in load current (bottom) and the response on the output voltage (top)

Table III lists results of measurements taken when the load was increased by 10% steps. The data were then used to calculate both load and line regulations as follows:

$$\text{Line Regulation} = \frac{V_{OUT(High Input)} - V_{OUT(Low Input)}}{V_{OUT(nominal)}} \times 100\%$$

$$= \frac{1.004V - 1.004V}{1.004} \times 100\% = 0\%$$

$$\text{Load Regulation} = \frac{V_{OUT(No Load)} - V_{OUT(Full)}}{V_{OUT(Full)}} \times 100\%$$

$$= \frac{1.006V - 1.004V}{1.004} \times 100\% = 0.2\%$$

When compared against the commercially available VRM, the proposed topology has a comparable line regulation (close to 0%) but it is superior in its load regulation (0.2% as compared to 0.8%).

TABLE III
HARDWARE MEASUREMENT DATA

Load (%)	Vin(V)	Iin(A)	Pin(W)	Vout(V)	Iout(A)	Pout(W)	Efficiency(%)
0	12.005	0.265	3.179	1.006	0.01	0.010	0.32
10	12.002	0.729	8.753	1.006	5	5.030	57.47
20	12	1.184	14.210	1.005	10	10.050	70.72
30	11.995	1.646	19.745	1.005	15	15.075	76.35
40	12.008	2.115	25.391	1.005	20	20.100	79.16
50	12.001	2.594	31.132	1.005	25	25.125	80.71
60	11.995	3.085	37.003	1.005	30	30.150	81.48
70	12.001	3.585	43.027	1.004	35	35.140	81.67
80	12.008	4.098	49.214	1.004	40	40.160	81.60
90	11.996	4.630	55.540	1.004	45	45.180	81.35
100	12.003	5.172	62.076	1.004	50	50.200	80.87

Finally, from Table III the overall efficiency of the proposed converter was generated as shown in Figure 8. The efficiency tracks the 80% line beginning approximately at 40% load. At full load, the efficiency of the proposed converter is 80.87% which meets the design objective and is slightly larger than that measured from the commercially available VRM (80%).

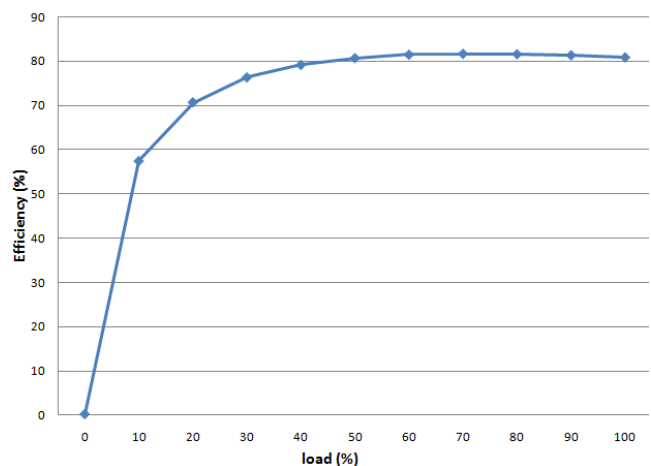


Fig. 8. Efficiency of the proposed converter with load variation

IV. CONCLUSION

With the increasing demand for power in today's microprocessors, the design of VRM becomes more

challenging than ever before. Conventional or basic topology widely used commercially available VRMs will not be sufficient to satisfy the thirst of power and speed of future microprocessors. The proposed topology presented in this paper is aimed to address these issues. The use of cell configuration has demonstrated the effectiveness in interleaving a multiphase topology. Furthermore, the strategic placements of bypass capacitors prove to suppress the output voltage level to a minimum value which is critical in sub-volt applications. Further lab measurements on the hardware prototype exhibit promising results of its potential. Although the results are overall comparable to those obtained from a commercially available VRM, two particular results are worth noting. First, load regulation of the proposed converter was measured to be practically 0.2% which is an improvement from the one measured on the commercially available VRM. Load regulation becomes even crucial when output current is much higher than the 40A that was tested on this prototype. Thus, from this aspect, the proposed converter has shown its great potential for use in very high output current applications with very tight load regulation such as those expected in future microprocessors.

Secondly, the efficiency plot of the proposed converter was actually sloping down gradually after the full load. This is much different from that measured on the commercially available VRM in which the efficiency dives down relatively faster. This means, again for much higher output current applications such as those expected in future microprocessors, the proposed converter exhibits a great potential for use in future VRMs.

REFERENCES

- [1]. R. Miftakhutdinov, "Optimal Design of Interleaved Synchronous Buck Converter at High Slew-Rate Load Current Transients", *Proceedings of Power Electronics Specialists Conference*, 2001, Volume 3, June 2001 Page(s):1714 – 1718.
- [2]. X. Zhou, X. Zhang, J. Liu, P. Wong, J. Chen, H. Wu, L. Amoroso, F. C. Lee, and D. Chen, "Investigation of Candidate VRM Topologies for Future Microprocessors", *IEEE Transactions on Power Electronics*, Volume 15, Issue 6, Nov 2000 Page(s):1172 – 1182.
- [3]. Y. Panov, M. Jovanovic, "Design considerations for 12-V/1.5-V, 50-A voltage regulator modules", *IEEE Transaction on Power Electronics*, Volume 16, Issue 6, Nov. 2001 Page(s):776 – 783.
- [4]. X. Zhou, P. Xu, and F.C. Lee, "A High Power Density, High Frequency and Fast Transient Voltage Regulator Module with a Novel Current Sharing and Current Sharing Technique", *Proceedings of IEEE APEC*, 1999.
- [5]. P. Xu, X. Zhou, P. Wong, K. Yao, and F.C. Lee, "Design and Performance Evaluation of Multi-Channel Interleaving Quasi-Square-Wave Buck Voltage regulator Module", *Proceedings of HFPC*, 2000, pp. 82-88.
- [6]. Intel Corporation, *Intel Technology Symposium*, September 2001, Seattle, WA.
- [7]. J. Yungtaek, M.M. Jovanovic, and Y. Panov, "Multiphase buck converters with extended duty cycle", *Proceedings of Applied Power Electronics Conference and Exposition*, 2006.
- [8]. X. Peng, W. Jia, F.C. Lee, "Multiphase coupled-buck converter-a novel high efficient 12 V voltage regulator module", *IEEE Transactions on Power Electronics*, Vol 18, Issue: 1, Page(s): 74 – 82.
- [9]. A.Y. Qiu; J. Sun; M. Xu; K. Lee; F. Lee, "Bandwidth Improvements for Peak-Current Controlled Voltage Regulators", *IEEE Transactions of Power Electronics*, Vol. 22, Issue 4, 2004, Page(s):1253 – 1260.
- [10]. H.N. Nagaraja, A. Patra, and D. Kastha, "Design optimization of coupled inductor multiphase synchronous buck converter",